

TECHNICAL CATALOGUE



AUGUSTA EVO

Code **TC.2.003200.EN**

Version **B**

Date **15.06.2017**

LANDING AND CAR DOOR



No part of this publication may be reproduced or translated, even in part, without prior written permission from WITTUR.

Subject to change without notice!

Questa pubblicazione non può essere riprodotta né tradotta, né interamente né in parte senza autorizzazione scritta della WITTUR.

Soggetto a modifica senza preavviso!

info@wittur.com
www.wittur.com

© Copyright WITTUR 2017

safety in motion™



GENERAL INDEX

TECNICAL DATA	
1.1	Application range Production range Fire certificates
1.2	Technical features
1.3	Technical data
1.4	Landing and car door arrangement
1.5	Operator fixing to car front wall
1.6	Operator fixing to car front wall (standard fixing)
1.7	Operator fixing on car roof (optional)
1.8	Opening and closing times (ECO Belt Drive)
1.9	Car door infill plate schedule Bottom fixing for car sill Slot position for car sill with holes (optional)
1.10	Position of the coupler between the landing lock rollers
1.11	Car door and landing door arrangement with coupler with car door lock
1.12	Emergency opening device for coupler with car door lock
1.13	Maximum sizes push button box
1.14.1	Minimum standard distance between sill and lower mechanism
1.14.2	Minimum distance between sill and lower mechanism
1.15	Extra large floor thickness

Ty.11/12 - SIDE OPENING TWO PANELS LANDING DOOR	
2.1	Car door, Ty.12 CO=700÷1100
2.2	Fire-resistant door, Ty.11/R-L
2.3	Fire-resistant door with lateral big frames
2.4	Shaft wall for "niche installation"
2.5	Shaft wall for "wall installation"
2.6	Arrangement for fire-resistant door

Ty.01/02 - CENTER OPENING TWO PANELS LANDING DOOR	
3.1	Car door, Ty.02 CO=700÷1100
3.2	Fire-resistant door, Ty.01/R-L
3.3	Fire-resistant door with lateral big frames
3.4	Shaft wall for "niche installation"
3.5	Shaft wall for "wall installation"
3.6	Arrangement for fire-resistant door



GENERAL INDEX

FLOOR LINE FRAME

- 4.7 Floor line frame, Ty.01/C (optional)
Floor line frame, Ty.11/R-L (optional)

EQUIPMENTS

- 10.1.1 Brackets for TSW=20÷55 (niche installation), Ty.11/R-L
- 10.1.2 Brackets for TSW=56÷99 (niche installation), Ty.11/R-L
Brackets for TSW=100÷140 (wall installation), Ty.11/R-L
- 10.1.3 Brackets for TSW=80÷99 (niche installation) SP=100, Ty.11/R-L
- 10.1.4 Brackets for TSW=100÷140 (wall installation) SP=100, Ty.11/R-L
- 10.2.1 Brackets for TSW=20÷55 (niche installation), Ty.01/C
- 10.2.2 Brackets for TSW=56÷65 (niche installation), Ty.01/C
Brackets for TSW=66÷100 (wall installation), Ty.01/C
- 10.2.3 Brackets For TSW=85÷100 (wall installation) SP=100, Ty.01/C
- 10.3 Cover sill assembly between frames (optional)
- 10.4 Sill protection (optional)
- 10.5 Pit egress (optional)
- 10.6 Security switch for low pit access short pit and/or head (optional)
- 10.7 Lateral adjustment (optional)
- 10.8.1 WSE light curtain fixing for central opening car doors, Ty 02/C (optional)
- 10.8.2 WSE light curtain fixing for central opening car doors, Ty 12/R-L (optional)



APPLICATION RANGE

Drive	Usage Area
AUGUSTA EVO	Residential Buildings, Small Offices

PRODUCTION RANGE

CAR DOORS WITH BELT TRANSMISSION

TYPE	AUGUSTA EVO LANDING DOORS ILLUSTRATION	TYPE	AUGUSTA EVO CAR DOORS ILLUSTRATION	CO mm		CH mm	
				Min.	Max.	Min.	Max.
TY 01/C		TY 02/C		700	1100	2000	2200
TY 11/R		TY 12/R					
TY 11/L		TY 12/L					

FIRE CERTIFICATES

EN81-58	BS 476-22	RUSSIA (**)	UKRAINE (**)	AUSTRALIA
E120 EI60 EI120 EW30 EW60 (*)	120'	E30 EI60	EI60	120'

(**) Available only for SB=SF=120.

(*) Cladded execution acc. to schedule below.

<p>SB=SF=90,100,120</p> <p>Ty.01: Cladded panels mandatory if CO > 900 or CH > 2100 Ty.11: Cladded panels mandatory if CO > 800 or CH > 2000</p>
<p>SB=SF=145</p> <p>Ty.01: Cladded panels and frame mandatory if CO > 800 or CH > 2100 Ty.11: Cladded panels and frame mandatory if CO > 750 or CH > 2000</p>
<p>BIG FRAME</p> <p>Ty.01: Cladded panels and frame always mandatory Ty.11: Cladded panels and frame always mandatory</p>



TECHNICAL FEATURES

Features:

- Narrow total package:
- **Car door + sill gap + landing door = 110mm (Ty.01-02/C)**
- **Car door + sill gap + landing door = 190mm (Ty.11-12/R-L)**
- Complies to LD95/16, 2014/33/EU and EN81, EN81-70, EN81-80 (SNEL), EN81-58, BS 476-22, AS 1530.4, PREN 81-8, **EN81-20/50**, Custom Union

Execution:

- Panel finish:
 - stainless steel brushed
 - stainless steel with pattern (leather, linen, rhomb, ...)
 - powder coated in RAL
 - galvanised finish
- Linear belt brushless drive ECO+
- Aluminium sill
- Coversill
- Sill protection
- Floor line frame
- Lateral adjustment

Equipment (optional):

- WSE light curtain including fixing kit
- Emergency opening contact



TECHNICAL DATA

	ECO+
Motor Characteristics	AC 3 Phase Motor
Drive	V3F Converter
Rated Power	60W
Max Momentary Power Consumption	100W
Stand-by Power	2.5W
Power Supply	Univ. (127V; 2A) \pm 20% (230V; 1A) \pm 20% 50/60Hz
Noise Level (Door Operator)	average 55 dB, max 60 dB
Protection Class	IP20
Regulations and Standards	EN81, EN81-58, EN81-70, EN81-80 (SNEL), EN81-20/50 Lift directive 95/16/EC
Electromagnetic Compatibility	Immunity and Emission Protection acc. EN12015/16
Maximum Movable Masses (Car and Landing Door Panels)	130kg
Passenger Protective Device	Wittur Light Curtain

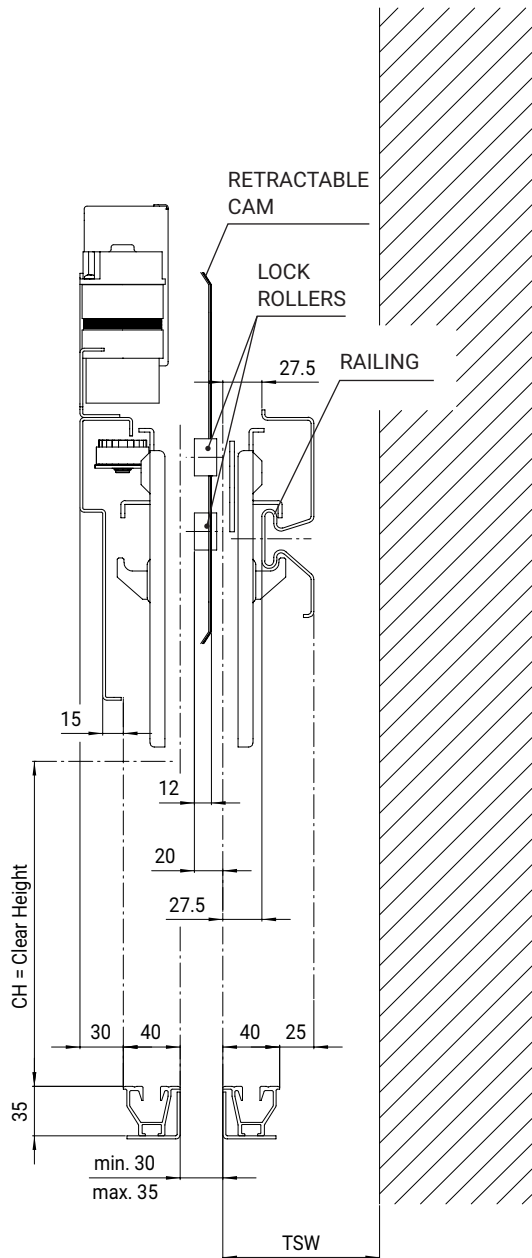


TECHNICAL DATA

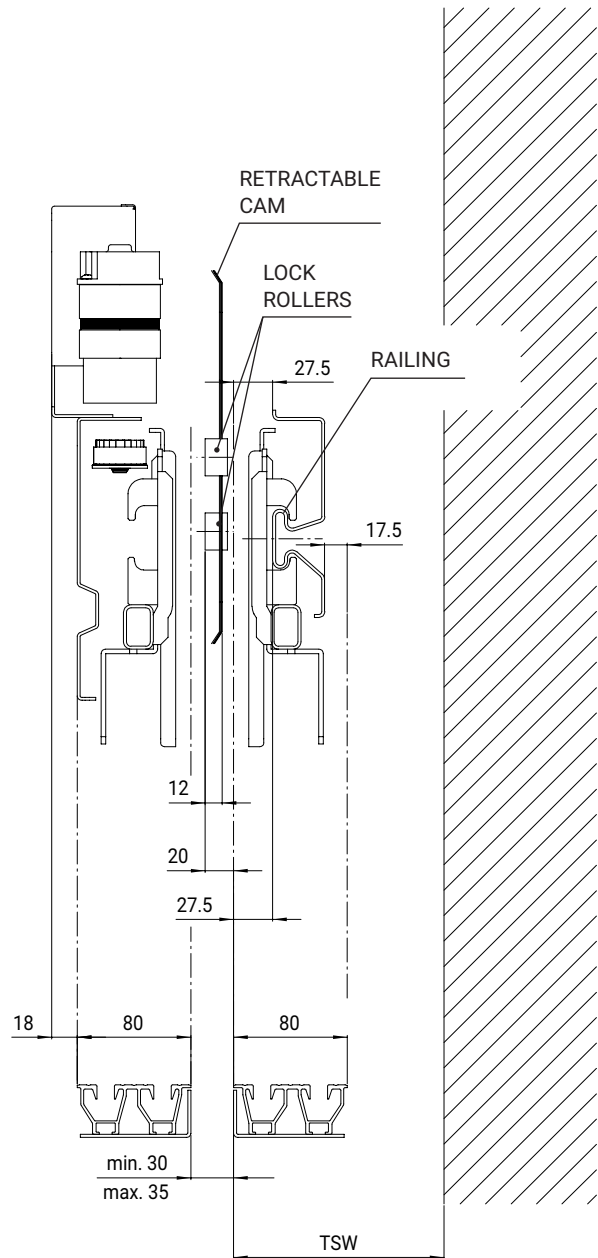
	ECO+
Shaft Room Temperature	-0...+50°C
Storage Temperature	-5...+70°C
Humidity Range	<97%...<25°C <93%...40°C
Vibration (Test Value)	EN60068-2-6
Bump (Test Value)	EN60068-2-29
Self Learning	•
Supervision Function	•
Data Stored Permanently	•
Nudging (NUD)	•
Opening Push Button in the Car (Optional)	•
Protective Device - Power Supply	24V DC + 10% 150 mA
Emergency Battery Drive	18 - 26 VDC max 5A

- AVAILABLE

LANDING AND CAR DOOR ARRANGEMENT

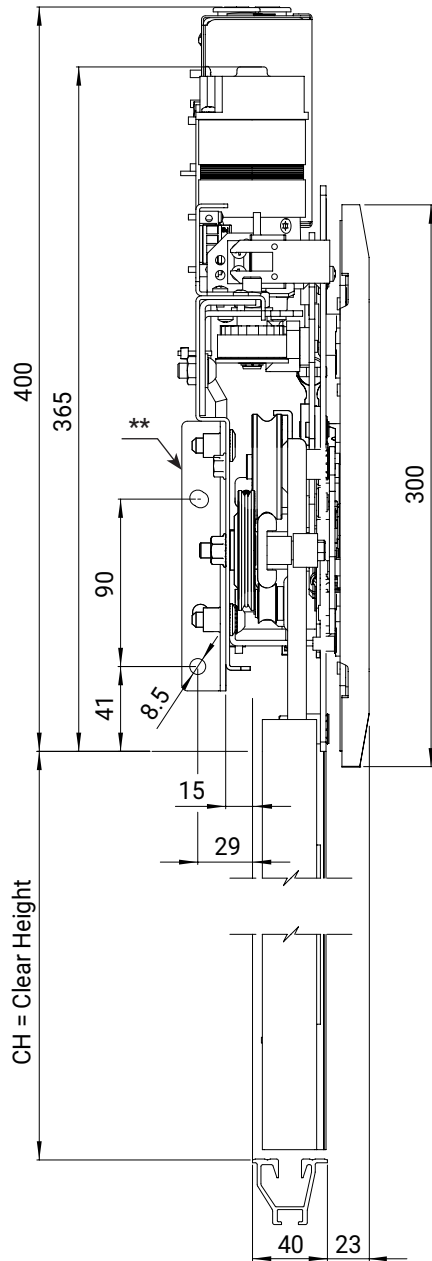


Ty 01/C Ty 02/C

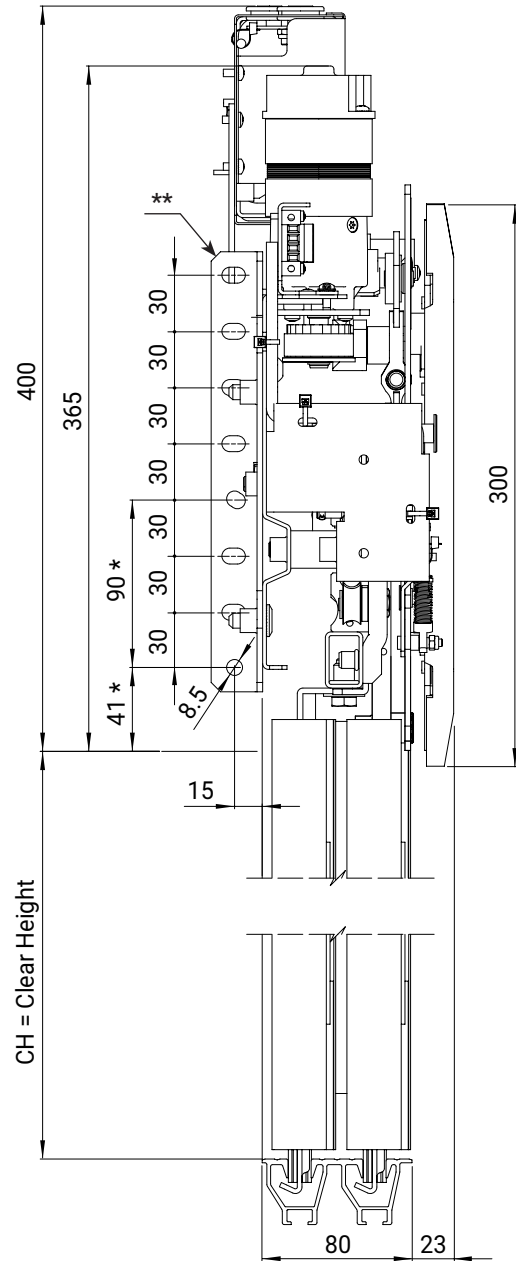


Ty 11/R-L Ty 12/R-L

OPERATOR FIXING TO CAR FRONT WALL



Ty 02/C



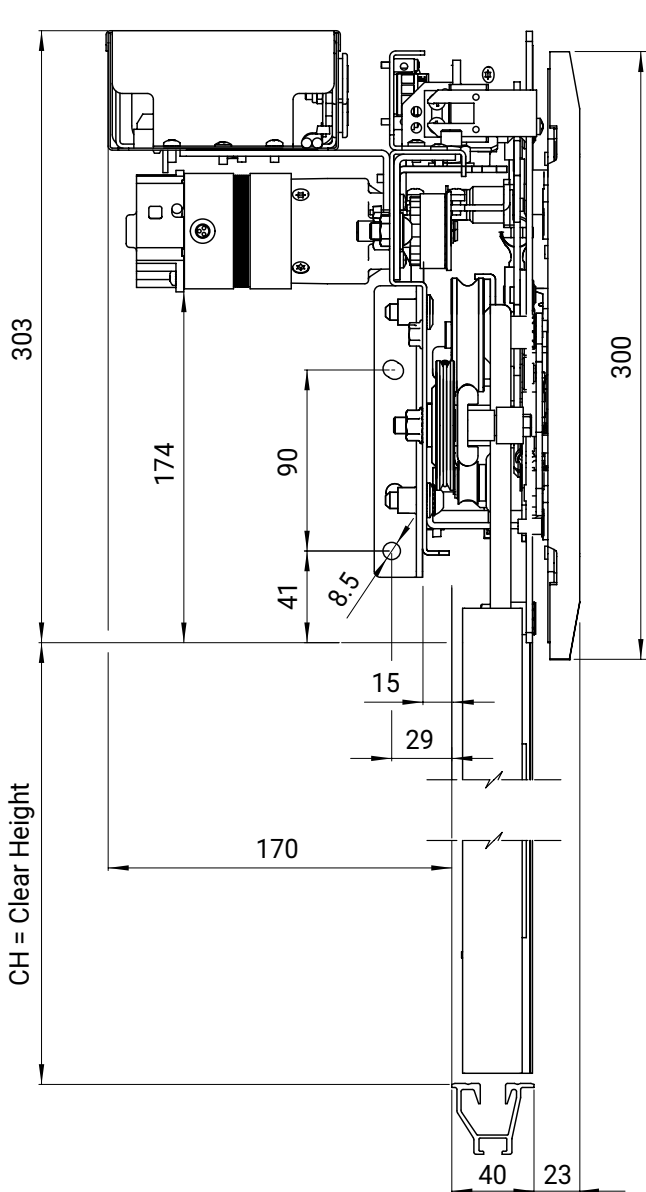
Ty 12/R-L

** Fixing point compatible with 3215-Augusta bracket.


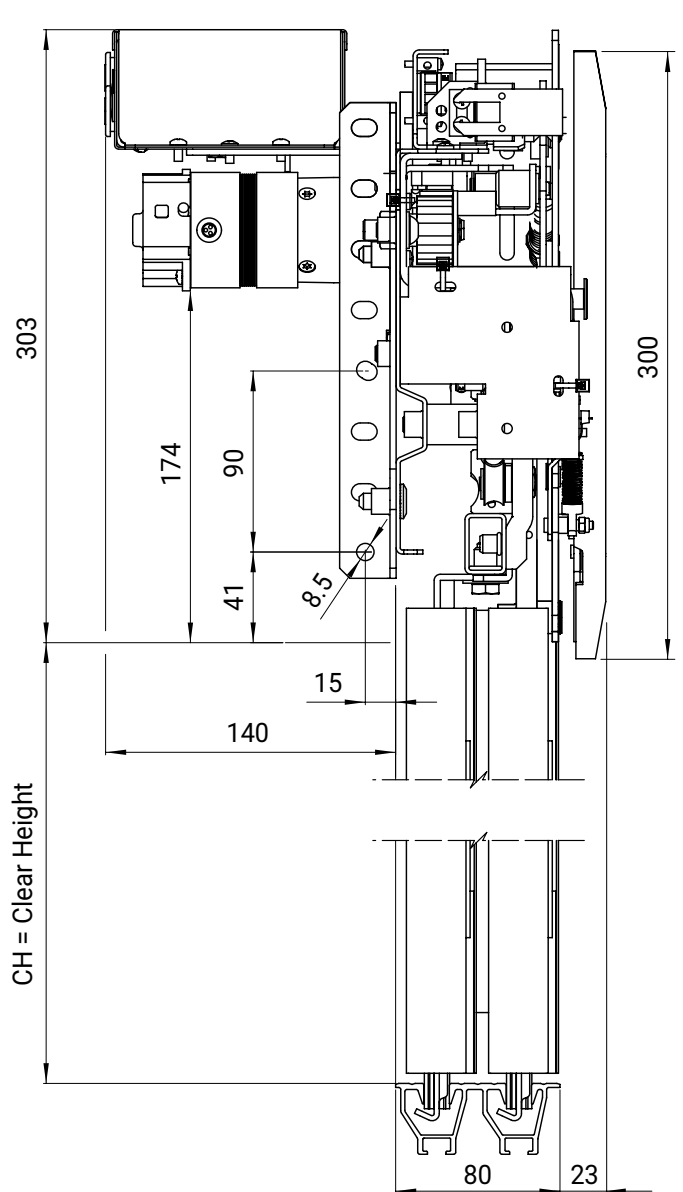
* Standard fixing point.

** Fixing point compatible with 3215-Augusta bracket.


OPERATOR FIXING TO CAR FRONT WALL (OPTIONAL)



Ty 02/C

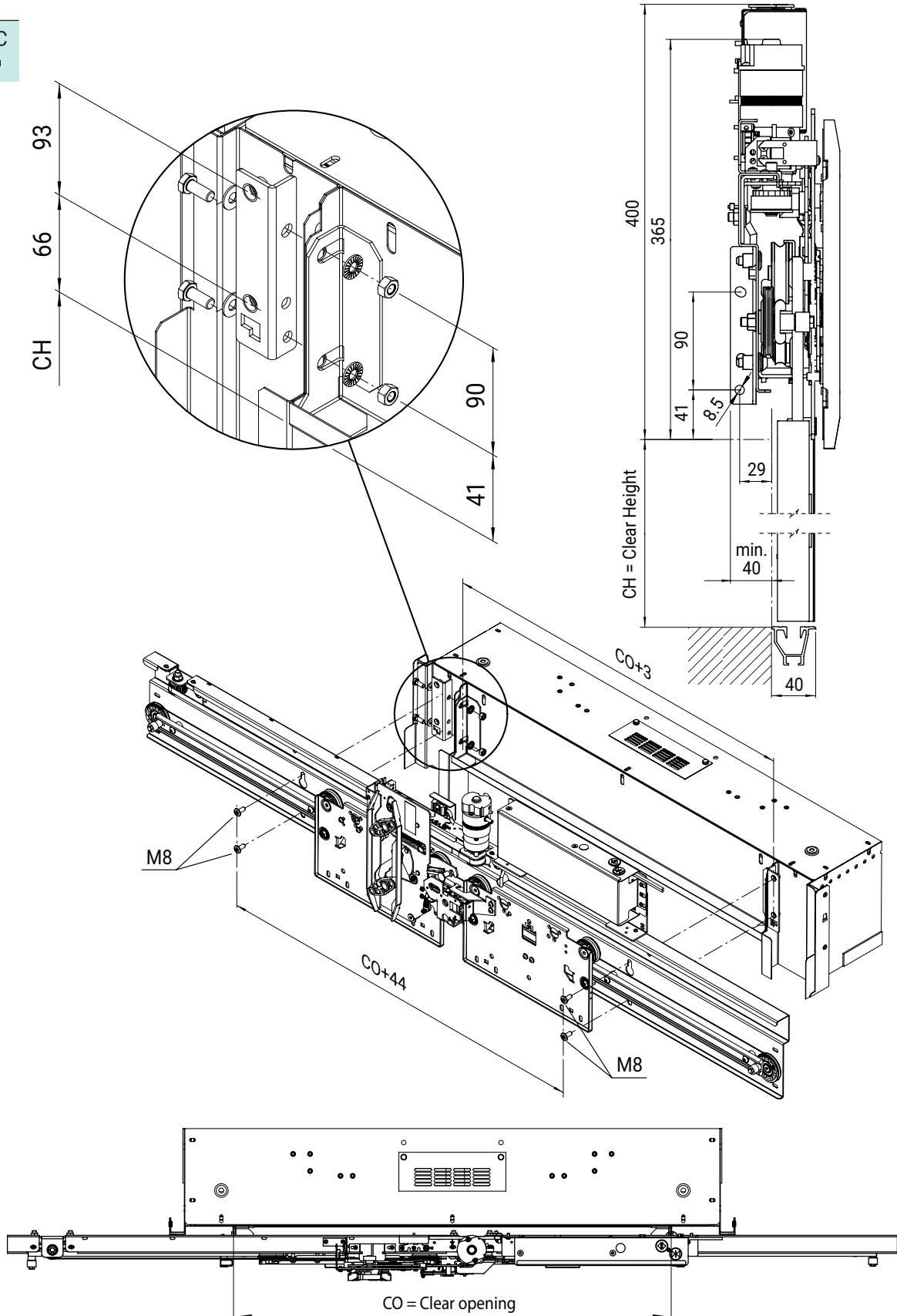



Ty 12/R-L



OPERATOR FIXING TO CAR FRONT WALL (STANDARD FIXING)

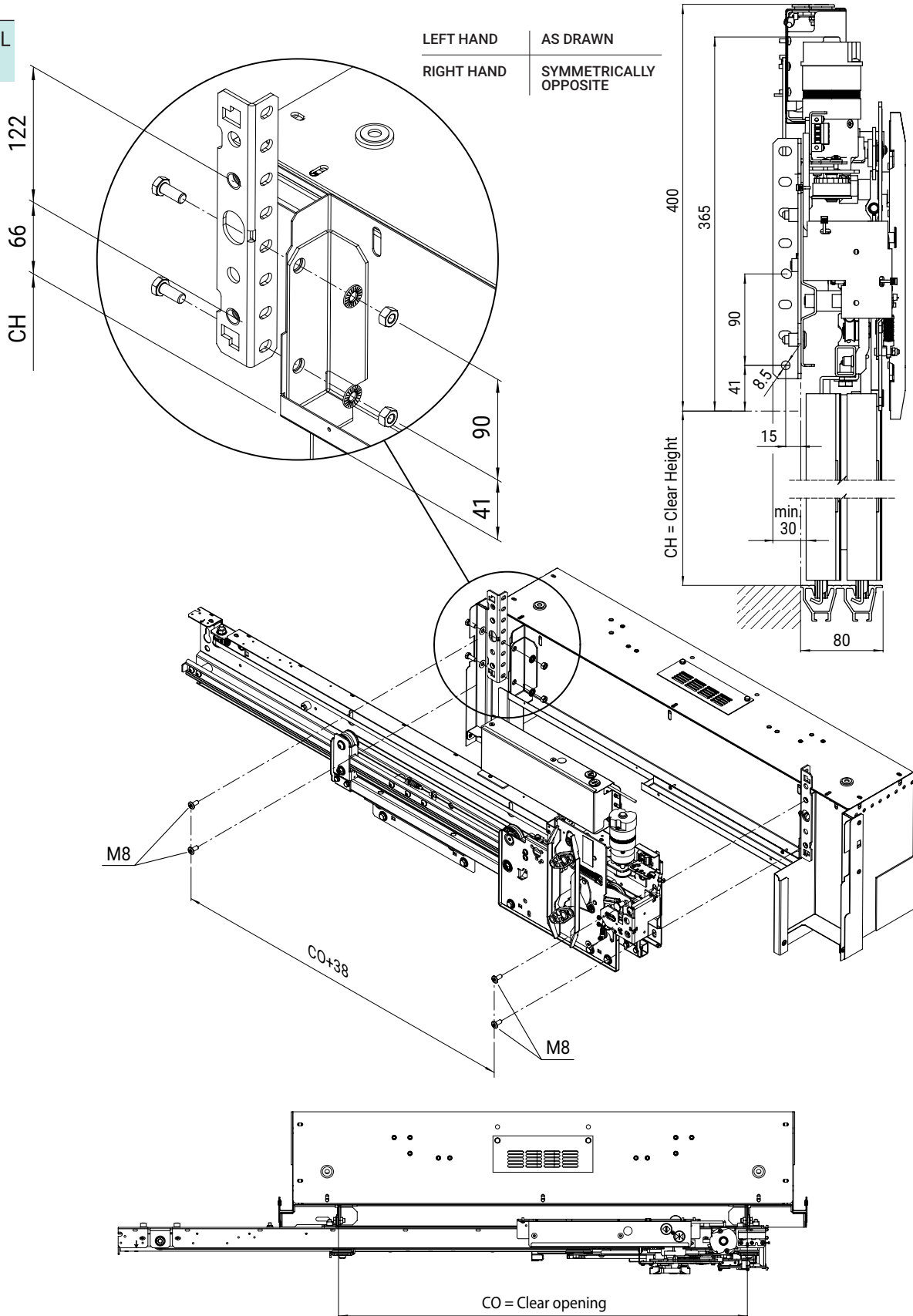
Ty 02/C



OPERATOR FIXING TO CAR FRONT WALL (STANDARD FIXING)

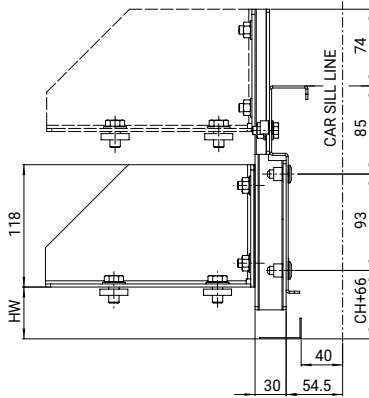
Ty 12/R-L

LEFT HAND	AS DRAWN
RIGHT HAND	SYMMETRICALLY OPPOSITE

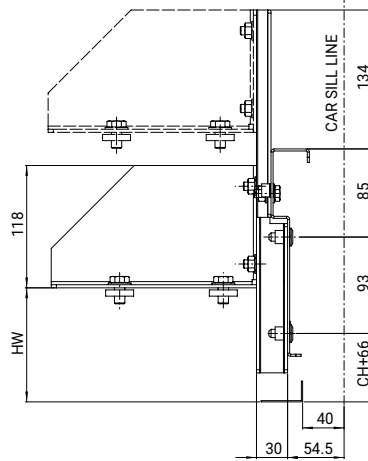


OPERATOR FIXING ON CAR ROOF (OPTIONAL)

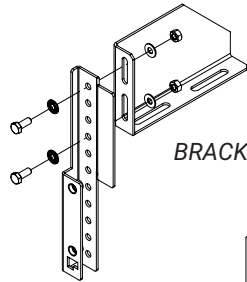
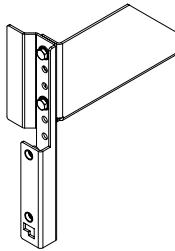
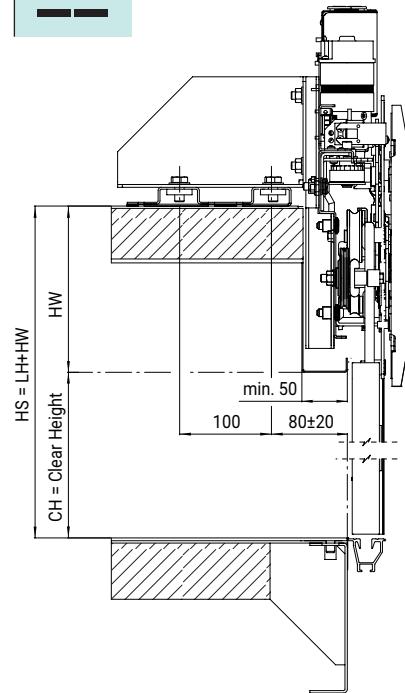
VALID FOR $50 \leq HW \leq 200$
 (OPTION A)



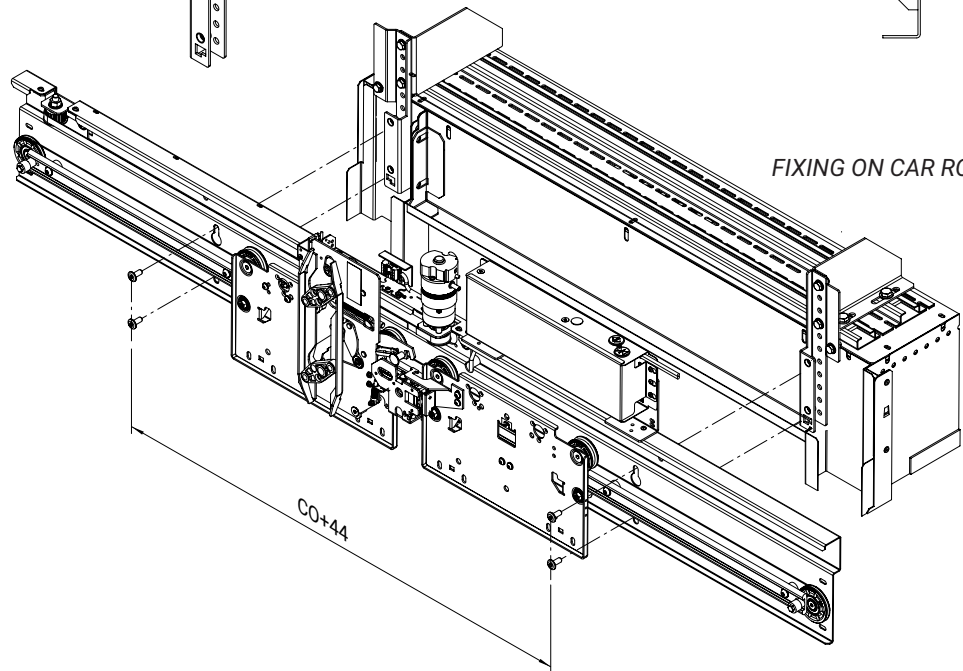
VALID FOR $200 < HW \leq 283$
 (OPTION B)



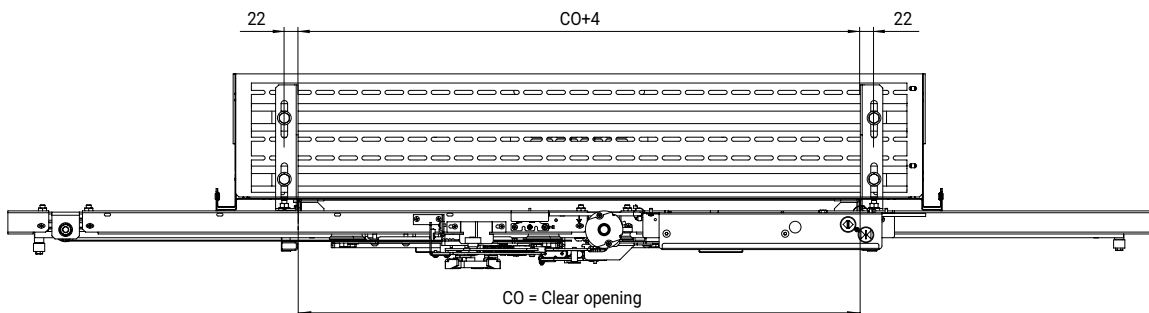
Ty 02/C



BRACKETS ASSEMBLY



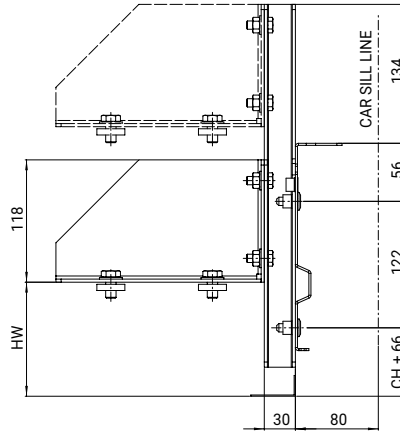
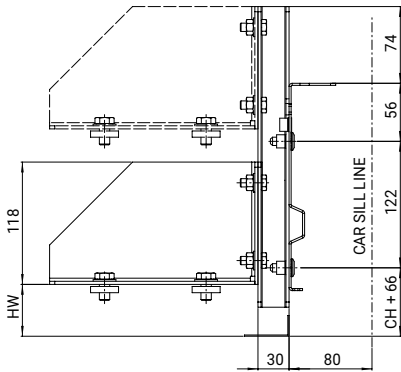
FIXING ON CAR ROOF



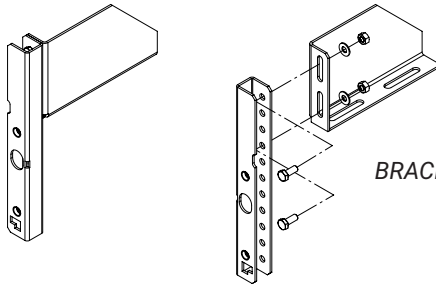
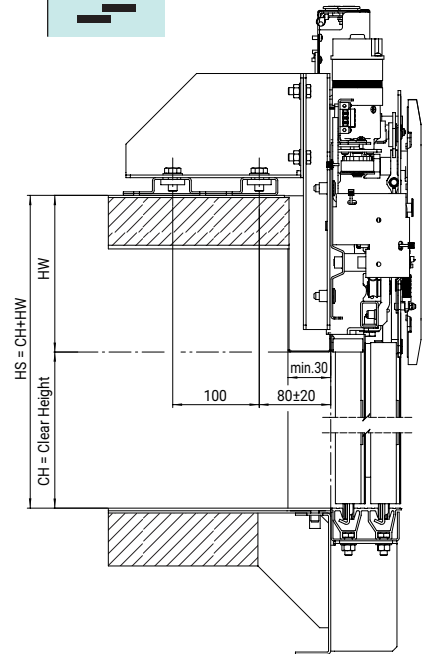
OPERATOR FIXING ON CAR ROOF (OPTIONAL)

VALID FOR $50 \leq HW \leq 200$
 (OPTION A)

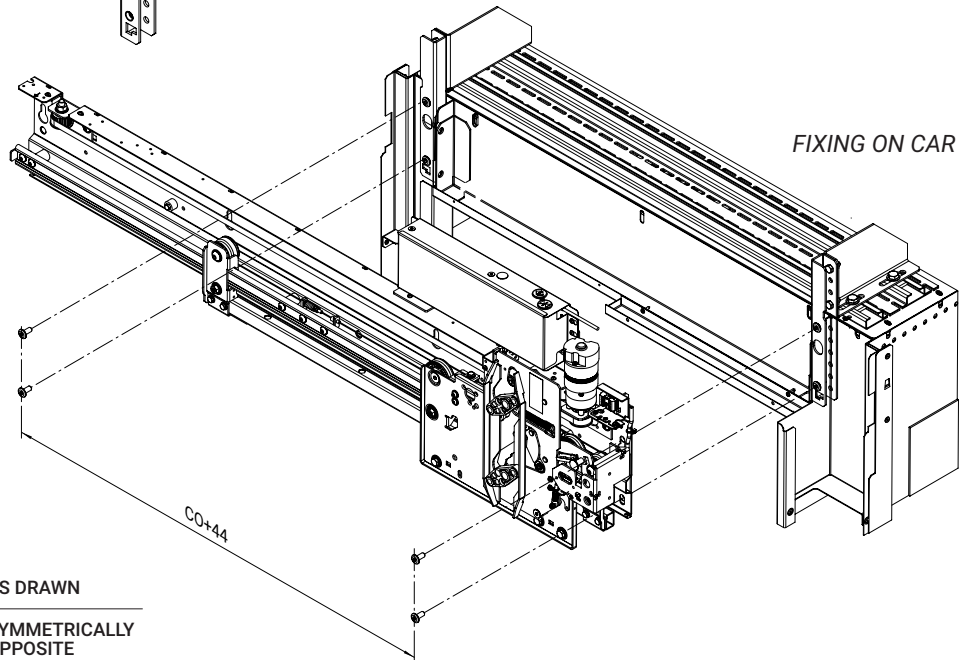
VALID FOR $200 < HW \leq 283$
 (OPTION B)



Ty 12/R-L

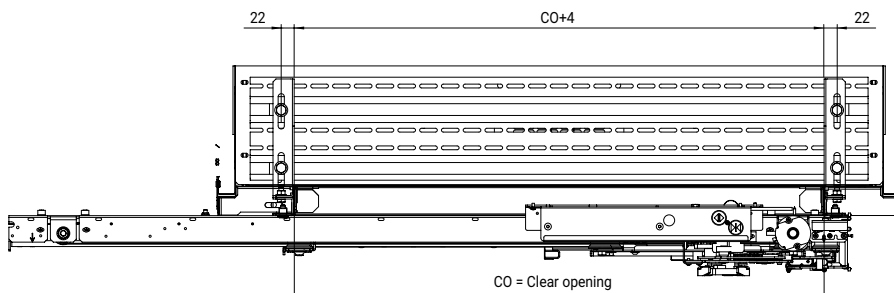


BRACKETS ASSEMBLY



FIXING ON CAR ROOF

LEFT OPENING	AS DRAWN
RIGHT OPENING	SYMMETRICALLY OPPOSITE



OPENING AND CLOSING TIMES (ECO Belt Drive)

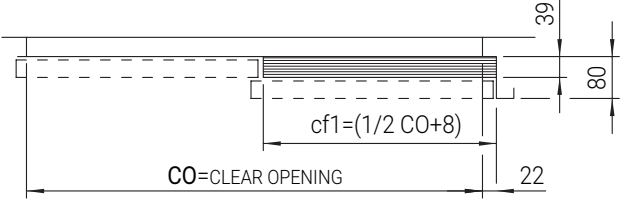
TYPE C.O.	02/C			12/R-L		
	OPENING TIME	CLOSING TIME	CLOSING AVERAGE SPEED	OPENING TIME	CLOSING TIME	CLOSING AVERAGE SPEED
	s	s	m/s	s	s	m/s
700	2,1	3,0		2,8	4,1	
750	2,2	3,1		2,9	4,3	
800	2,2	3,1		3,0	4,4	
850	2,3	3,2		3,1	4,6	
900	2,4	3,3	0,30	3,2	4,8	0,30
950	2,5	3,4		3,3	5,0	
1000	2,5	3,5		3,4	5,1	
1050	2,6	3,6		3,6	5,3	
1100	2,6	3,6		3,8	5,4	

TYPE C.O.	02/C			12/R-L		
	OPENING TIME	CLOSING TIME	CLOSING AVERAGE SPEED	OPENING TIME	CLOSING TIME	CLOSING AVERAGE SPEED
	s	s	m/s	s	s	m/s
700	2,1			2,8	4,1	
750	2,2			2,9	4,3	
800	2,2			3,0	4,4	
850	2,3			3,1	4,6	
900	2,4	4,0	*	3,2	4,8	0,30
950	2,5			3,3	5,0	
1000	2,5			3,4	5,1	
1050	2,6			3,6	5,3	
1100	2,6			3,8	5,4	



* DEPENDENT ON CLOSING TIME

CAR DOOR INFILL PLATE SCHEDULE

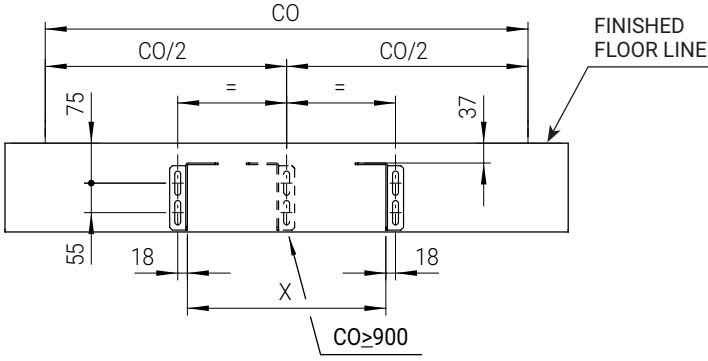


CO=clear opening
 $cf1 = (1/2 CO + 8)$

Ty 12/R-L

CO	cf1
700	358
750	383
800	408
850	433
900	458
950	483
1000	508
1050	533
1100	558

BOTTOM FIXING FOR CAR SILL



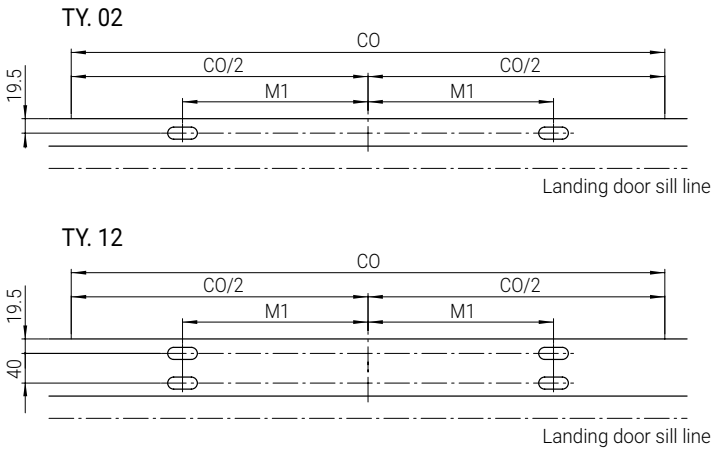
FINISHED FLOOR LINE

Ty 02/C

Ty 12/R-L

CO	X
700	360
750	460
800	560
850	660
900	760
950	
1000	
1050	
1100	

SLOT POSITION FOR CAR SILL WITH HOLES (OPTIONAL)



TY. 02

TY. 12

Landing door sill line

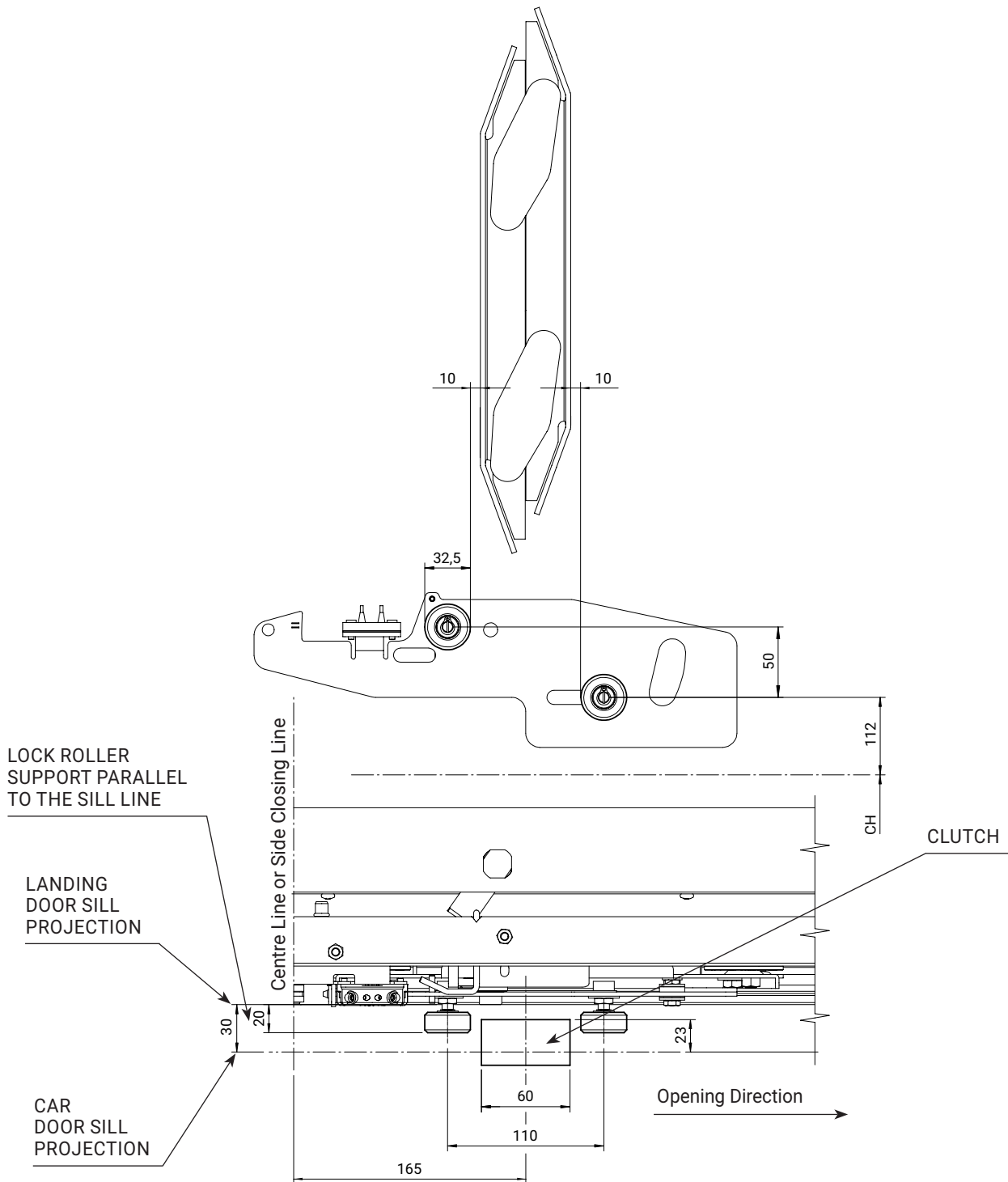
Ty 02/C

Ty 12/R-L

CO	M1
700	200
750	225
800	250
850	275
900	300
950	325
1000	350
1050	375
1100	400

Subject to change without notice!

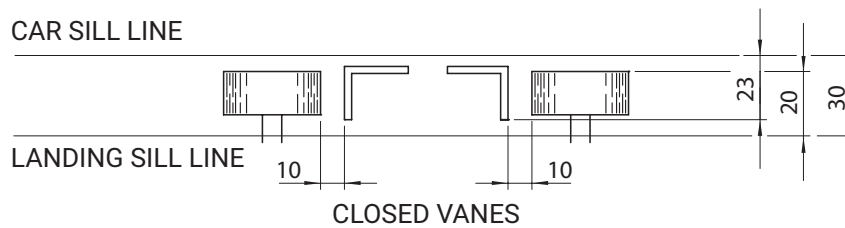
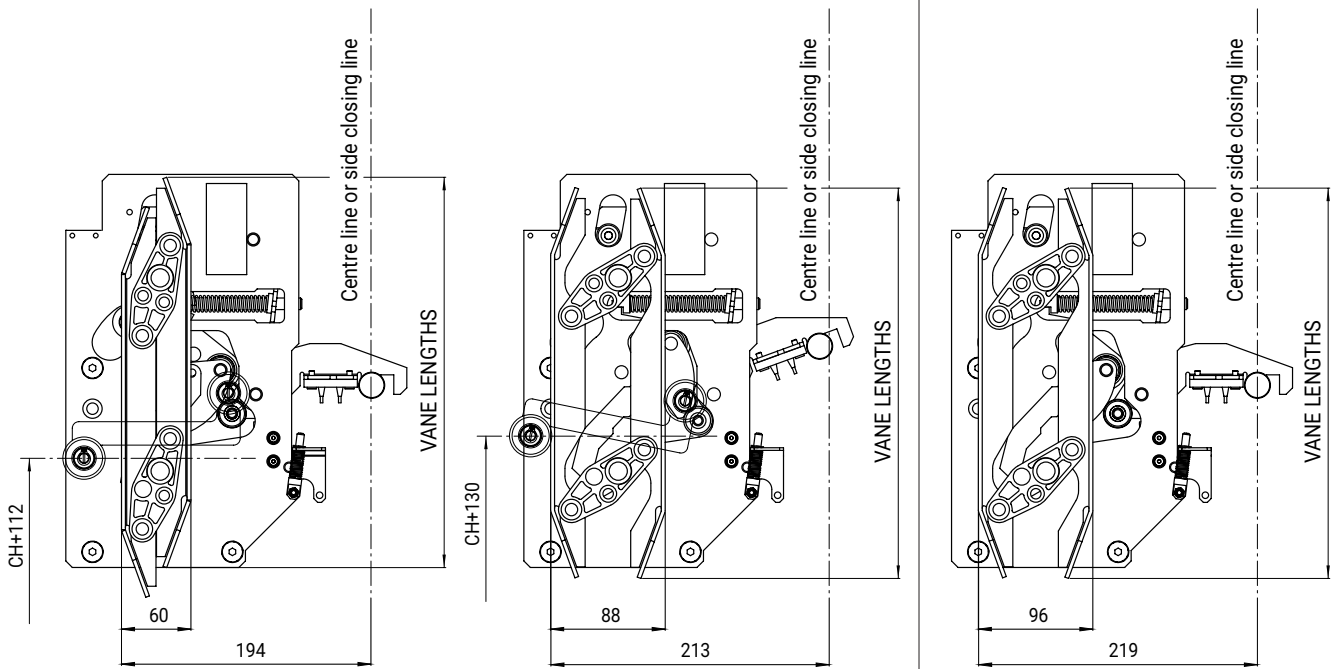
POSITION OF THE COUPLER BETWEEN THE LANDING LOCK ROLLERS



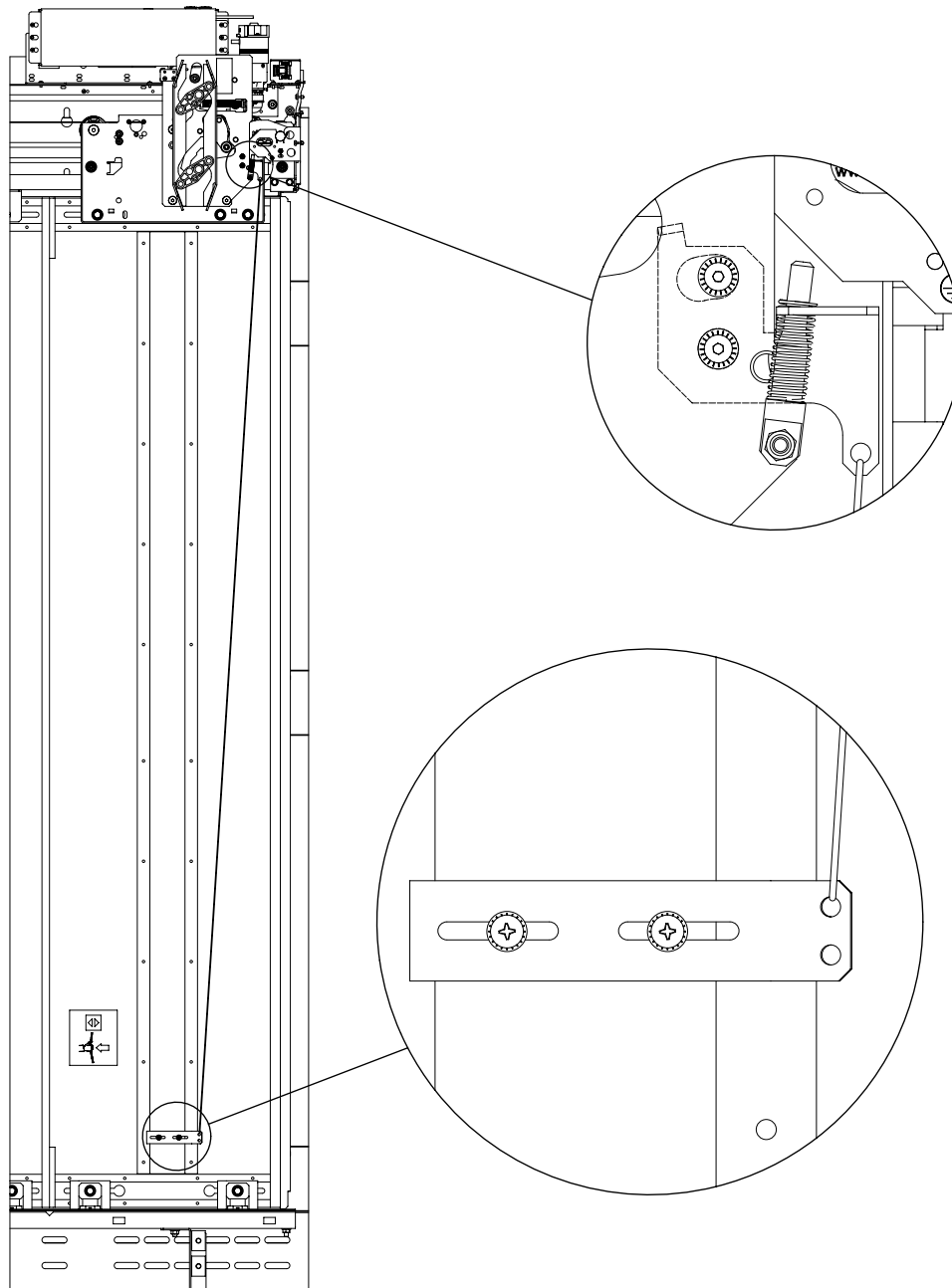
CAR DOOR AND LANDING DOOR ARRANGEMENT WITH COUPLER WITH CAR DOOR LOCK

Car stops in landing door zone:
 The rollers are detected. They operate the lock vane and the latch opens.

Car stops out of landing door zone:
 No rollers are detected. The lock vane is not touched and the latch keeps closed.



EMERGENCY OPENING DEVICE FOR COUPLER WITH CAR DOOR LOCK



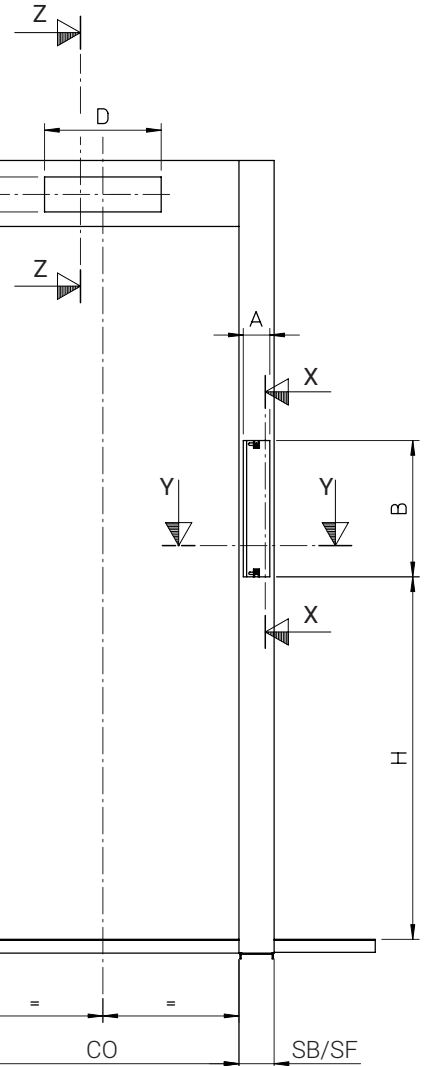
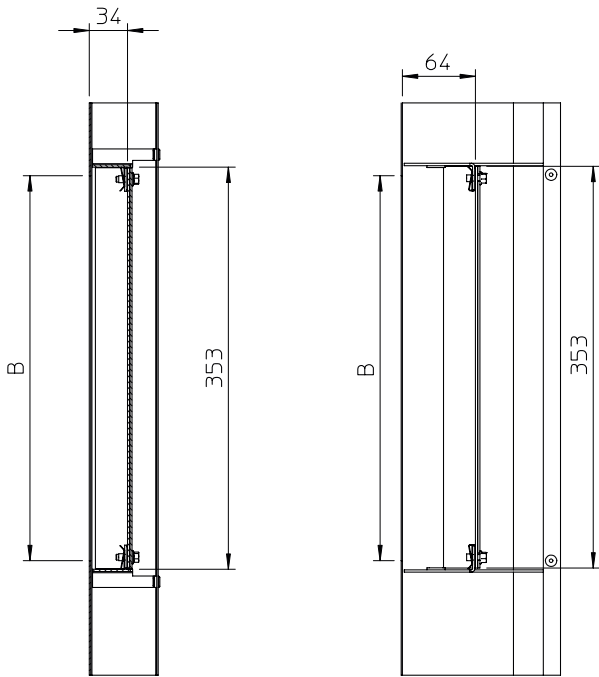
The rope of the car door emergency opening device is fixed to the bottom end of the door panel.
By pulling the rope, the car door lock is unlocked.

MAXIMUM SIZES PUSH BUTTON BOX

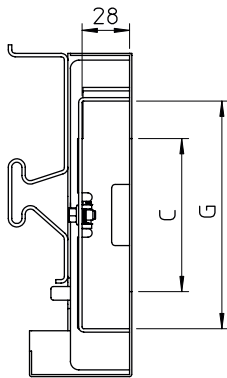
T 01

X-X Section

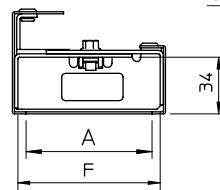
T 11



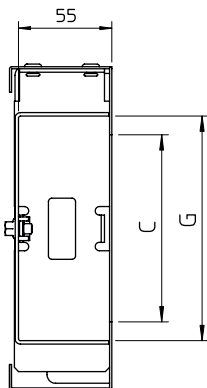
T 01



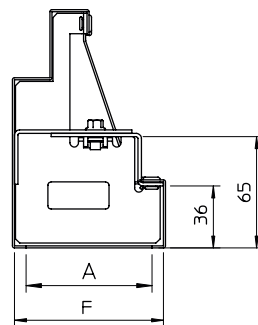
T 11



T 01



T 11

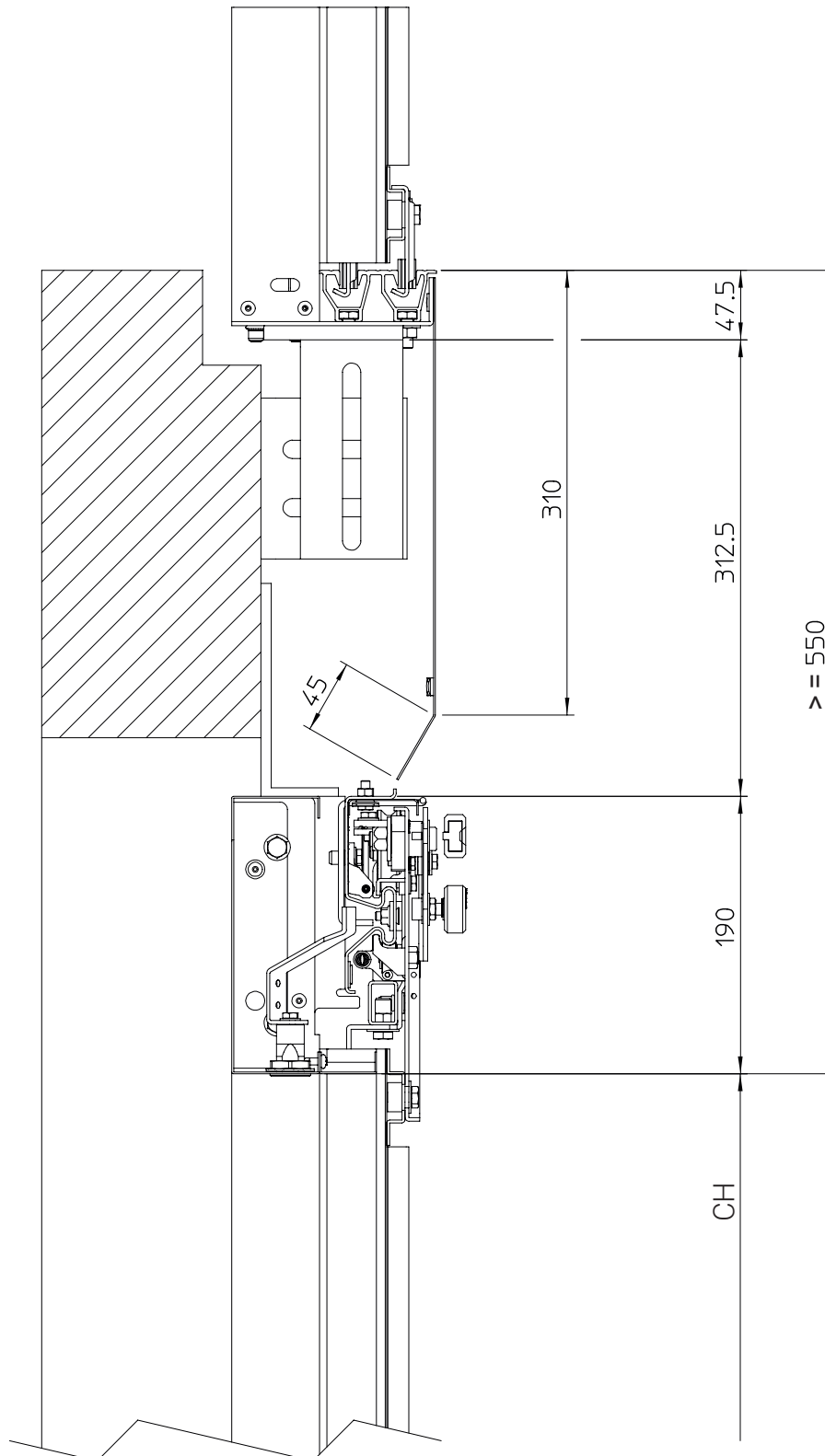


A	max. 74 for SB/SF=90 max. 78 for SB/SF=100 max. 98 for SB/SF=120
B	max. 350
C	max. 140 for SB/SF=190 max. 50 for SB/SF=100
D	max. 300
F	max. 83 for SB/SF=90 max. 93 for SB/SF=100 max. 113 for SB/SF=100
G	max. 150 for SB/SF=190 max. 60 for SB/SF=100

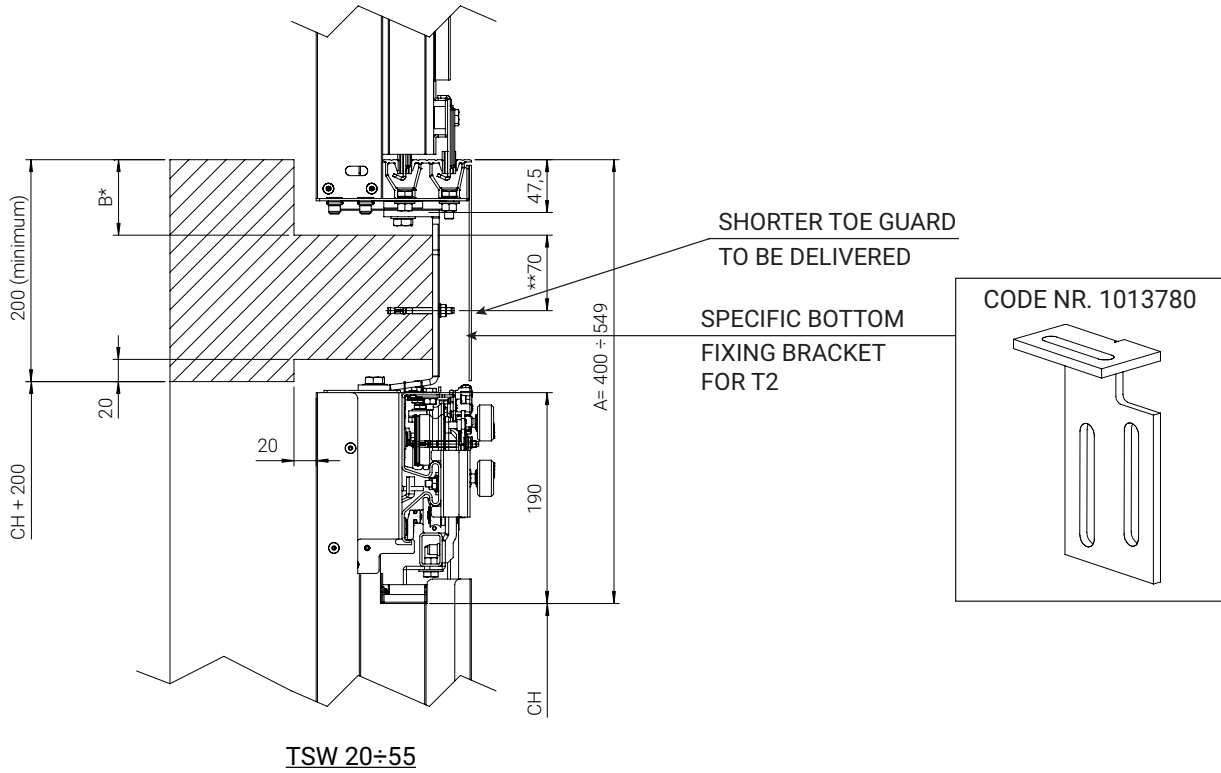
Z-Z Section

Y-Y Section

MINIMUM STANDARD DISTANCE BETWEEN SILL AND LOWER MECHANISM

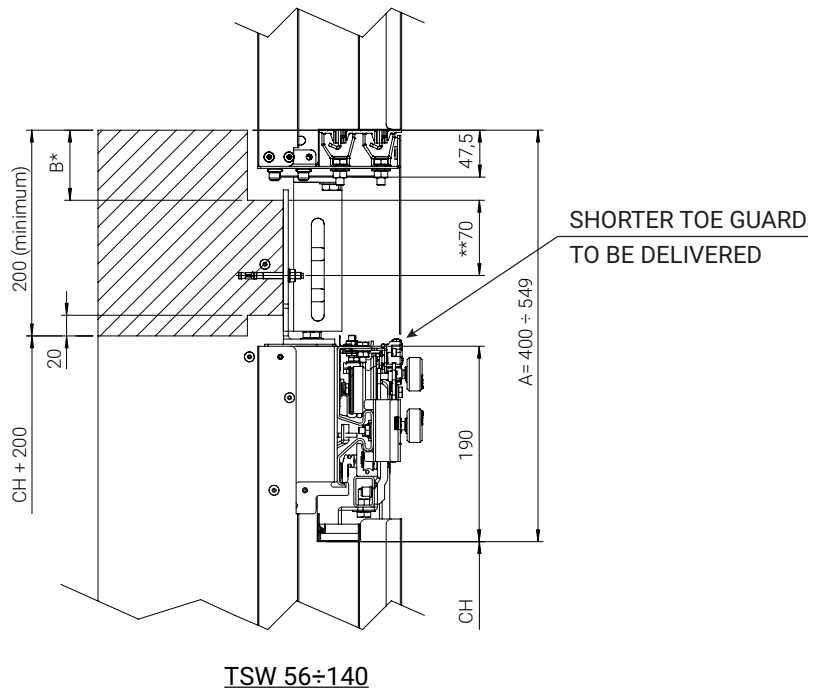


MINIMUM DISTANCE BETWEEN SILL AND LOWER MECHANISM



* B min 70 mm
 B max see table below

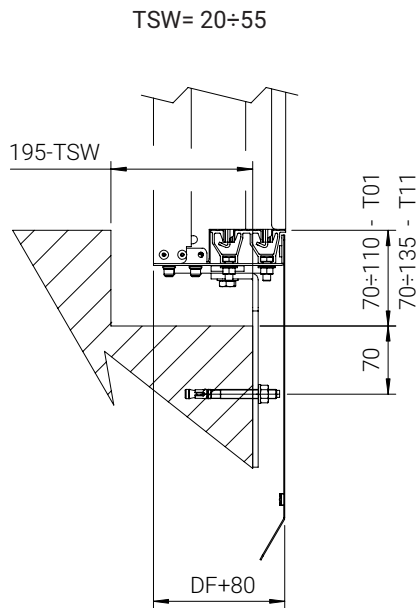
A	Max. finish floor B
400 ÷ 439	= A - 330
440 ÷ 549	110



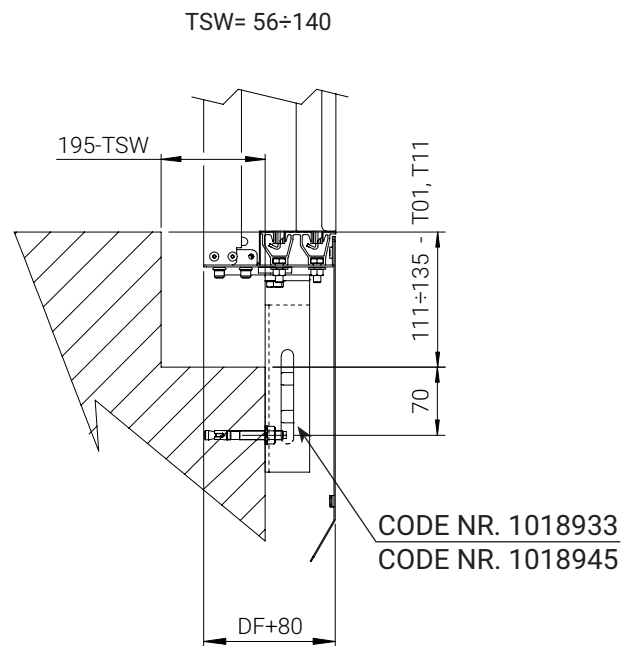
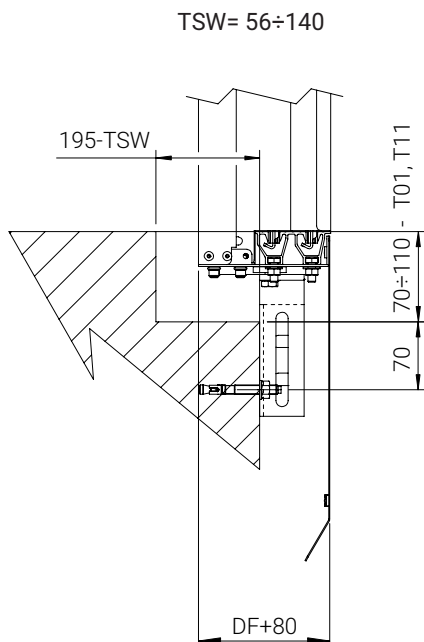
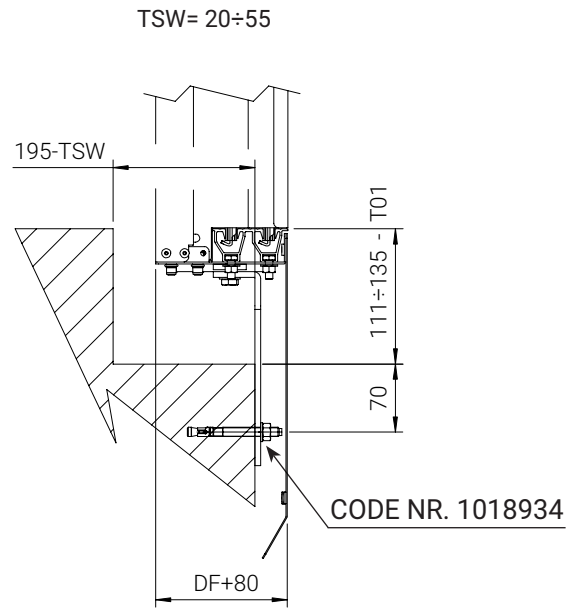
** For sill fixing brackets fixed with hilti bolts

EXTRA LARGE FLOOR THICKNESS

STANDARD FIXING BRACKET

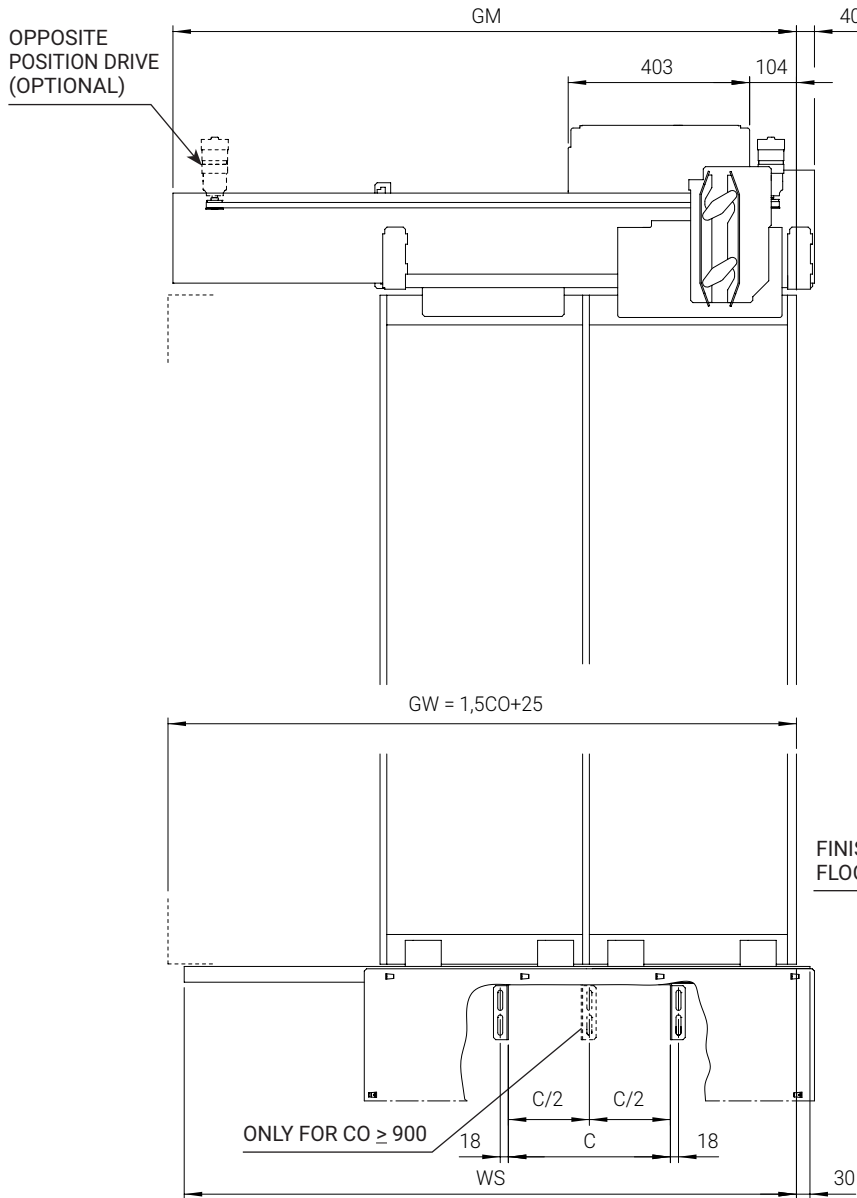


SPECIFIC FIXING BRACKET



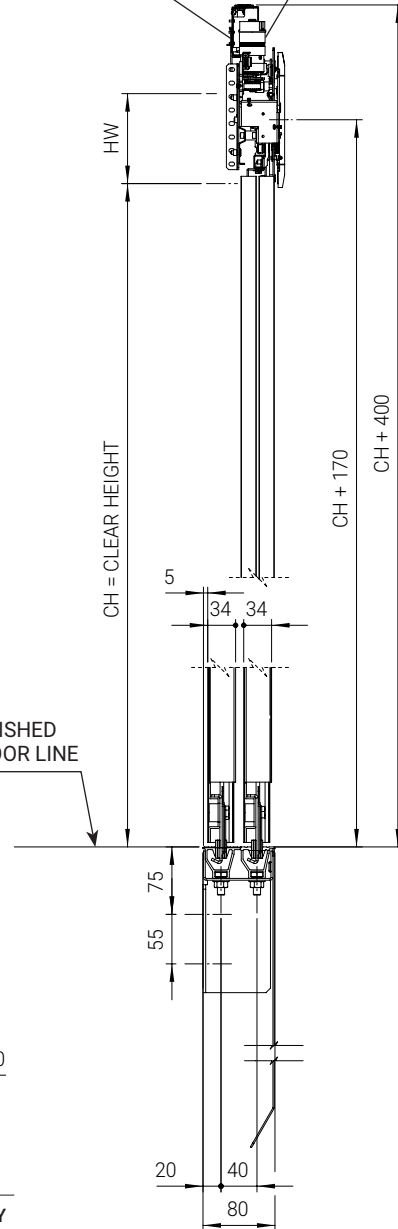
CAR DOOR, CO=700÷1100

Ty 12/R-L

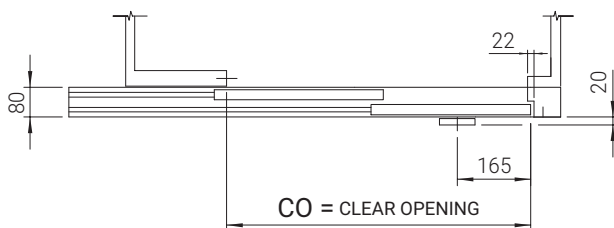


OPERATOR FIXING TO THE CAR FRONT WALL
DETAIL PAGE 1.6.1

OPERATOR WITH HORIZONTAL POSITION
SEE PAGE 1.5.2 (OPTIONAL)



LEFT HAND	AS DRAWN
RIGHT HAND	SYMMETRICALLY OPPOSITE

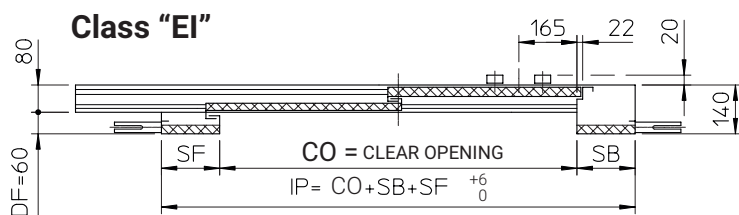
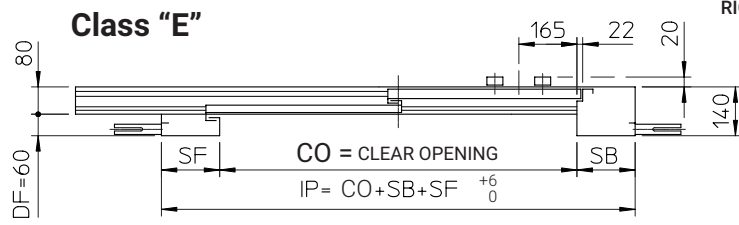
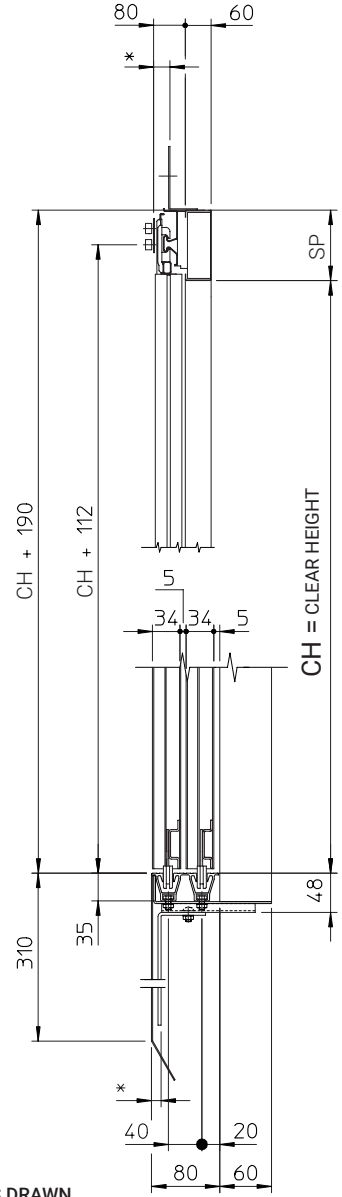
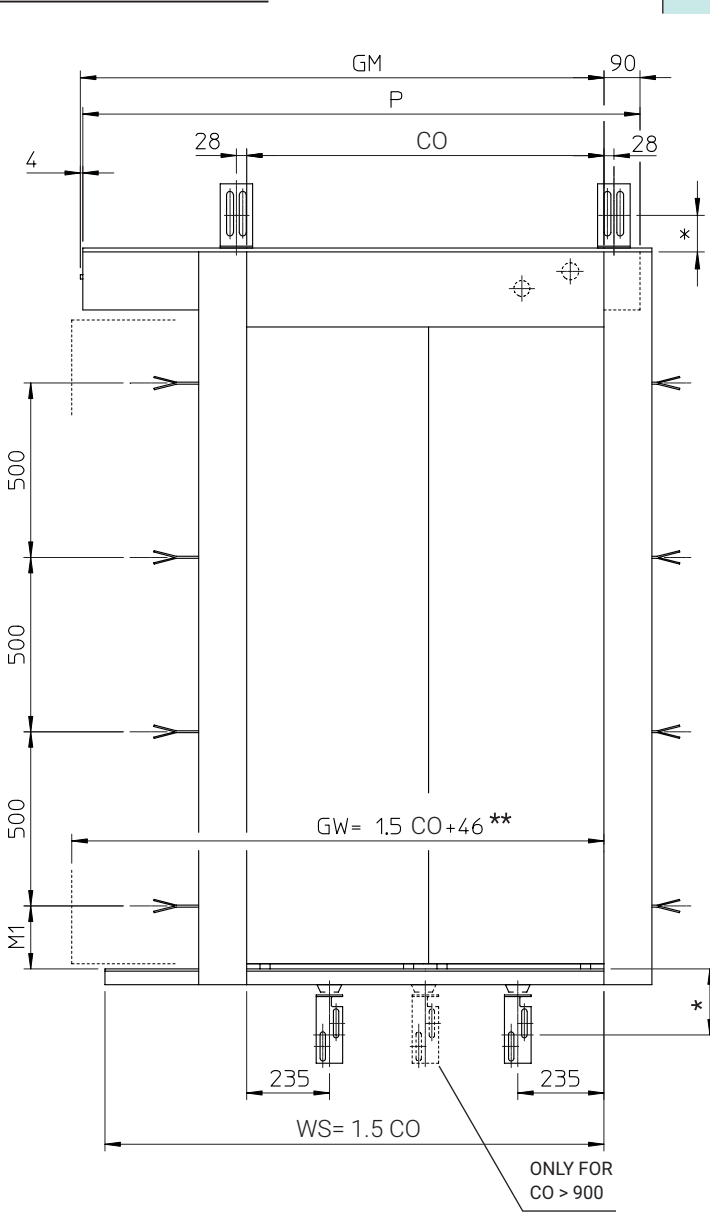
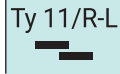


CO	NO COMPLETE DOOR WEIGHT Kg LH=2000	GM	GW	WS	C
* 700	61	1110	1075	1060	360
* 750	63	1185	1150	1135	460
800	66	1235	1225	1210	
850	68	1285	1300	1285	560
* 900	72	1385	1375	1360	
950	74	1435	1450	1435	660
* 1000	78	1535	1525	1510	
1050	80	1585	1600	1585	760
1100	83	1635	1675	1660	

(*) Caution: GM dimension larger than GW dimension

Note: Weights referring to not clad doors

FIRE-RESISTANT DOOR



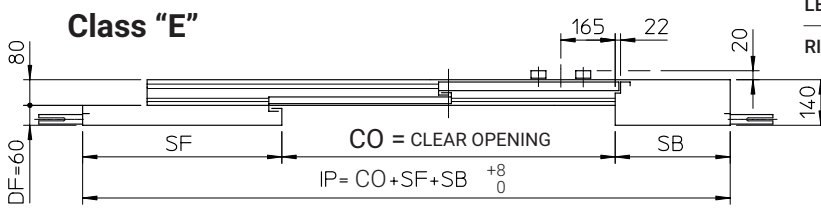
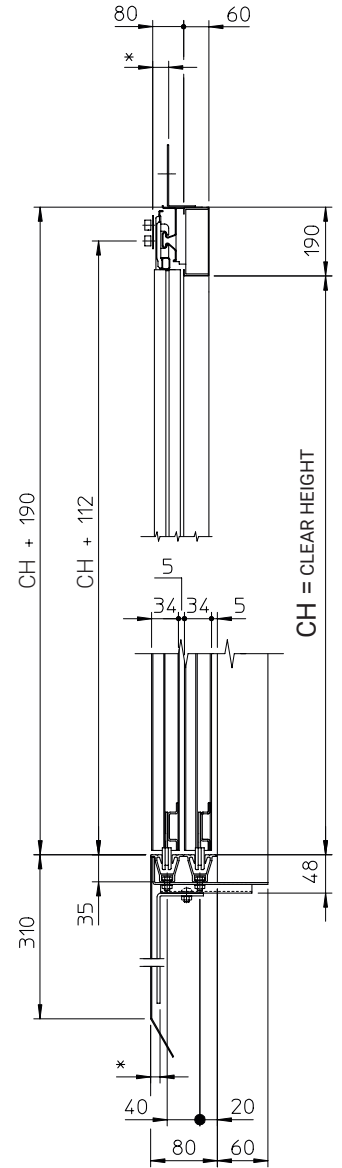
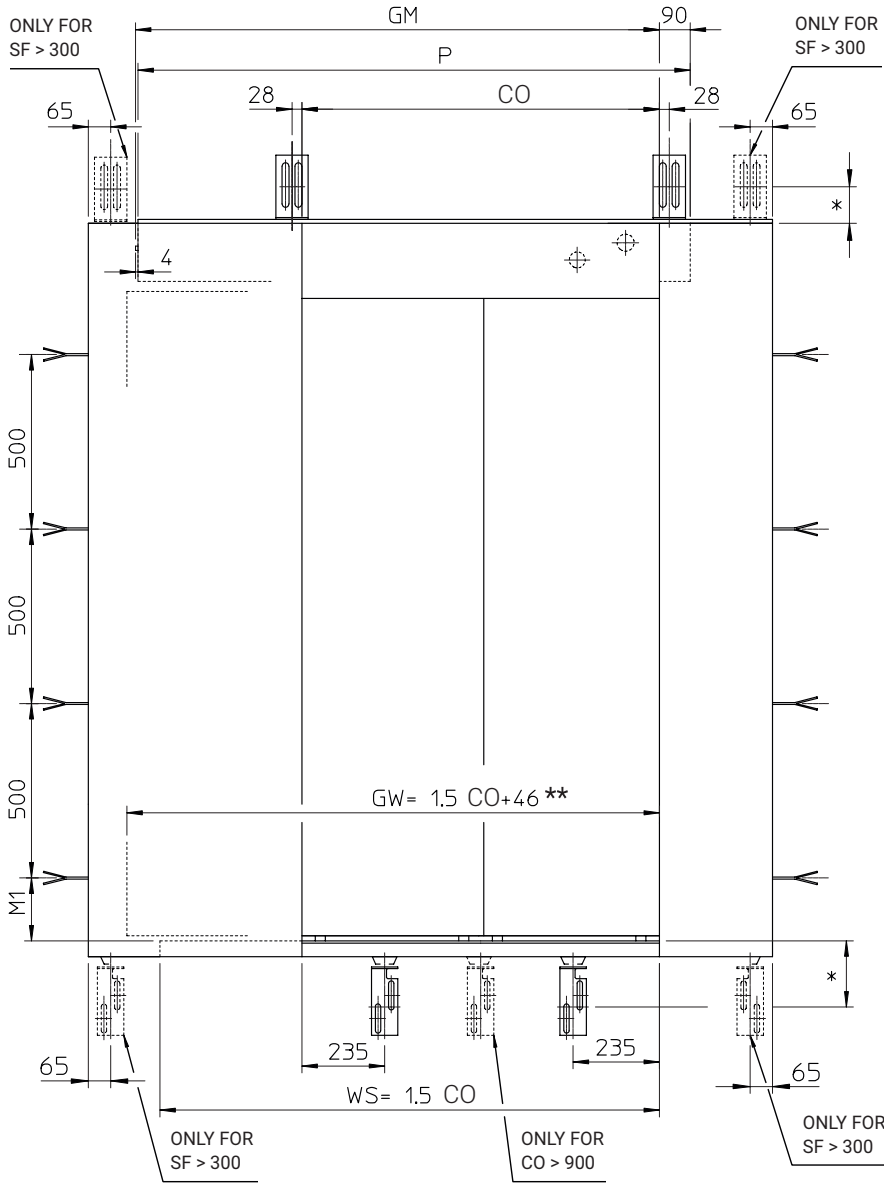
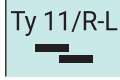
LEFT HAND AS DRAWN
 RIGHT HAND SYMMETRICALLY OPPOSITE

CH	M1	FRAME	SB	SF	SP	DF
		2000	292	90x60	90	90
2100	342	100x60	100	100	100	60
2200	392	120x60	120	120	190	60

(*) See page 10.1.1, 10.1.2, 10.1.3 and 10.1.4
 (**) Claded panel +1 / EI panel +4.

CO	GM	P	GW	WS
700	1109	1195	1096	1050
750	1184	1270	1171	1125
800	1234	1320	1246	1200
850	1284	1370	1321	1275
900	1384	1470	1396	1350
1000	1534	1620	1546	1500
1100	1634	1720	1696	1650

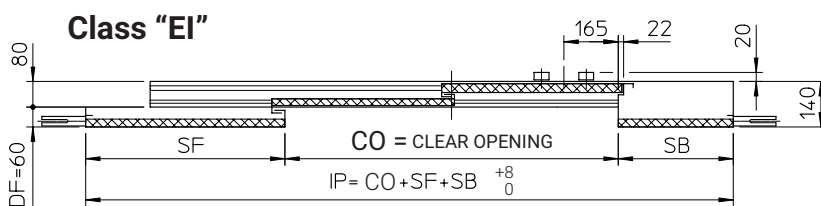
FIRE-RESISTANT DOOR WITH LATERAL BIG FRAMES



LEFT HAND AS DRAWN
RIGHT HAND SYMMETRICALLY OPPOSITE

CH	M1
2000	292
2100	342
2200	392

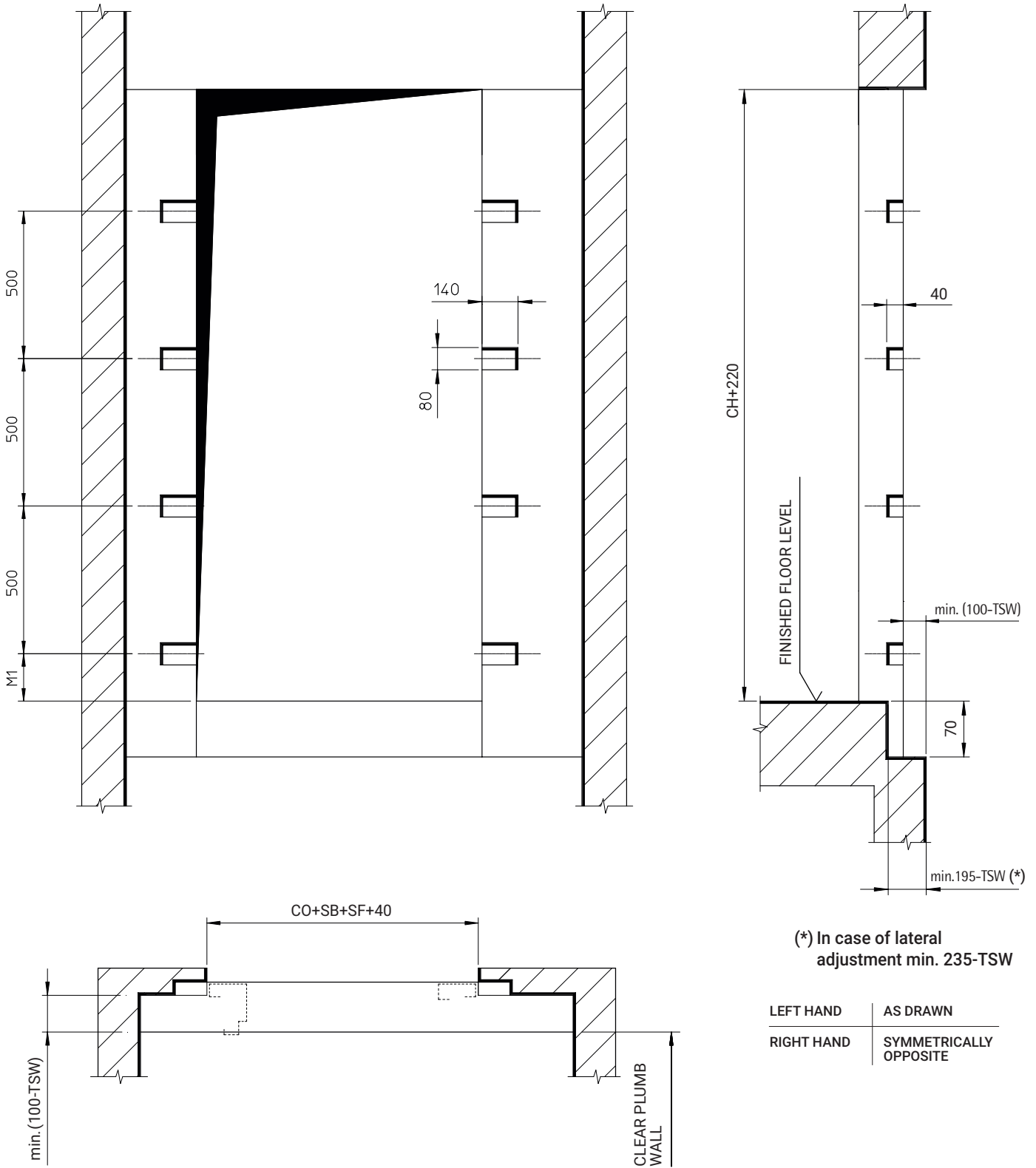
(*) See page 10.1.1 and 10.1.2
(**) Claded panel +1 / EI panel +4.



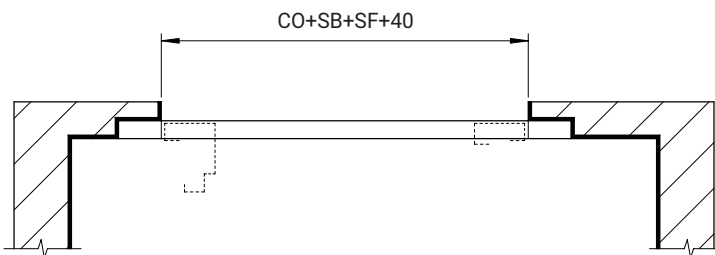
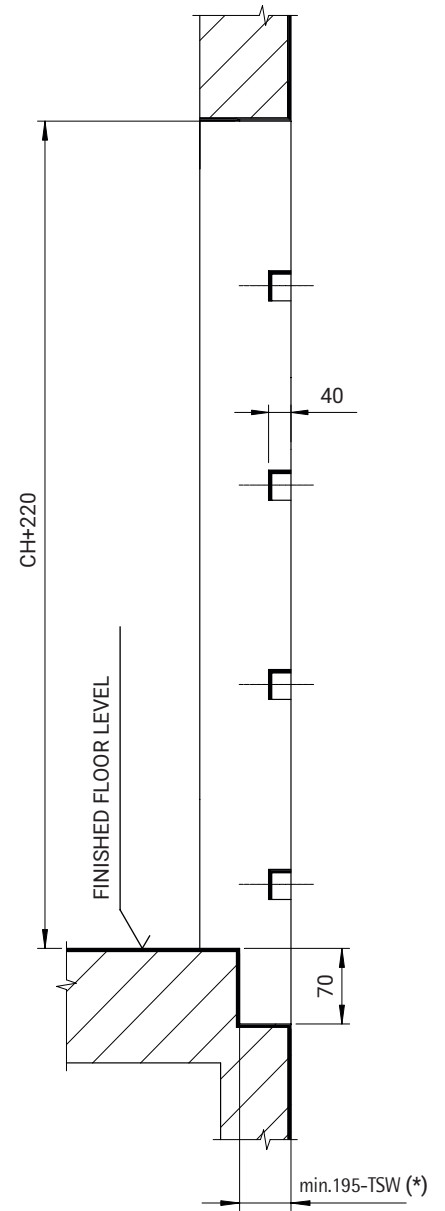
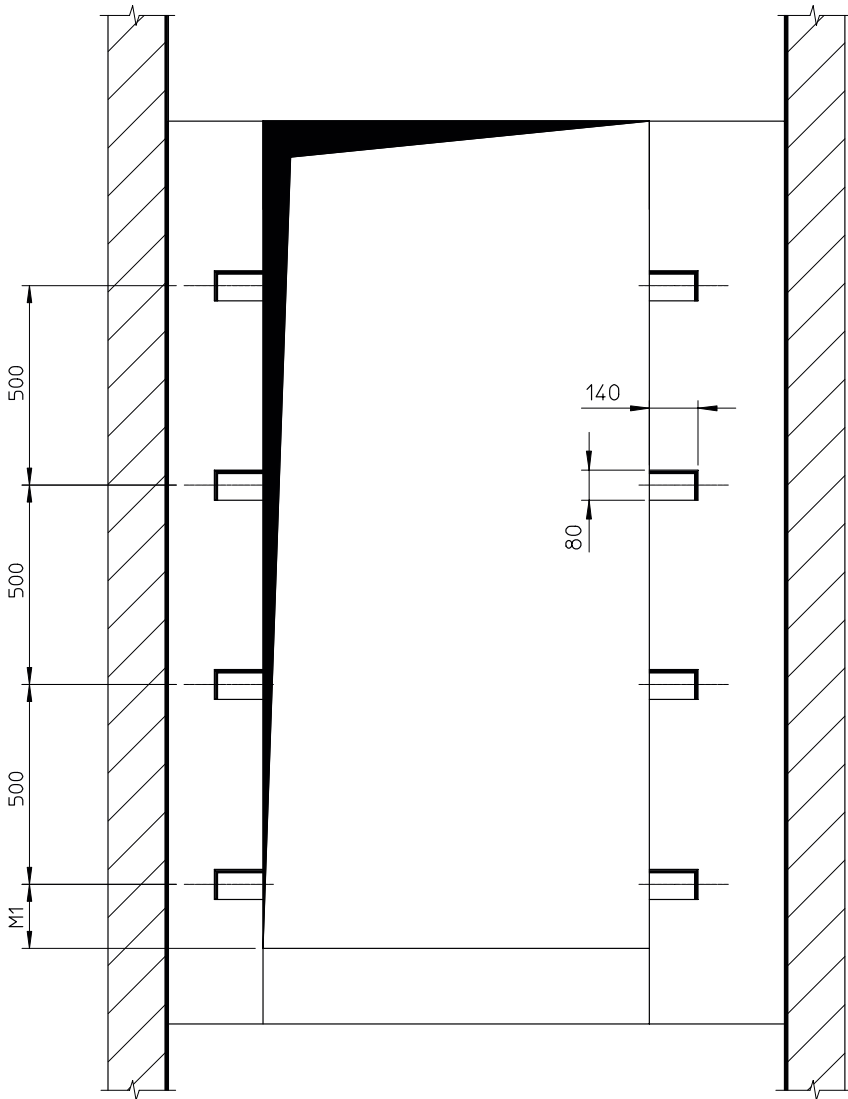
CO	GM	P	GW	WS
700	1109	1195	1096	1050
750	1184	1270	1171	1125
800	1234	1320	1246	1200
850	1284	1370	1321	1275
900	1384	1470	1396	1350
1000	1534	1620	1546	1500
1100	1634	1720	1696	1650

SF/SB min 145 max 650 (5 mm steps)

SHAFT WALL FOR "NICHE INSTALLATION"

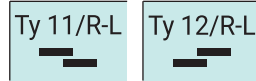


SHAFT WALL FOR "WALL INSTALLATION"

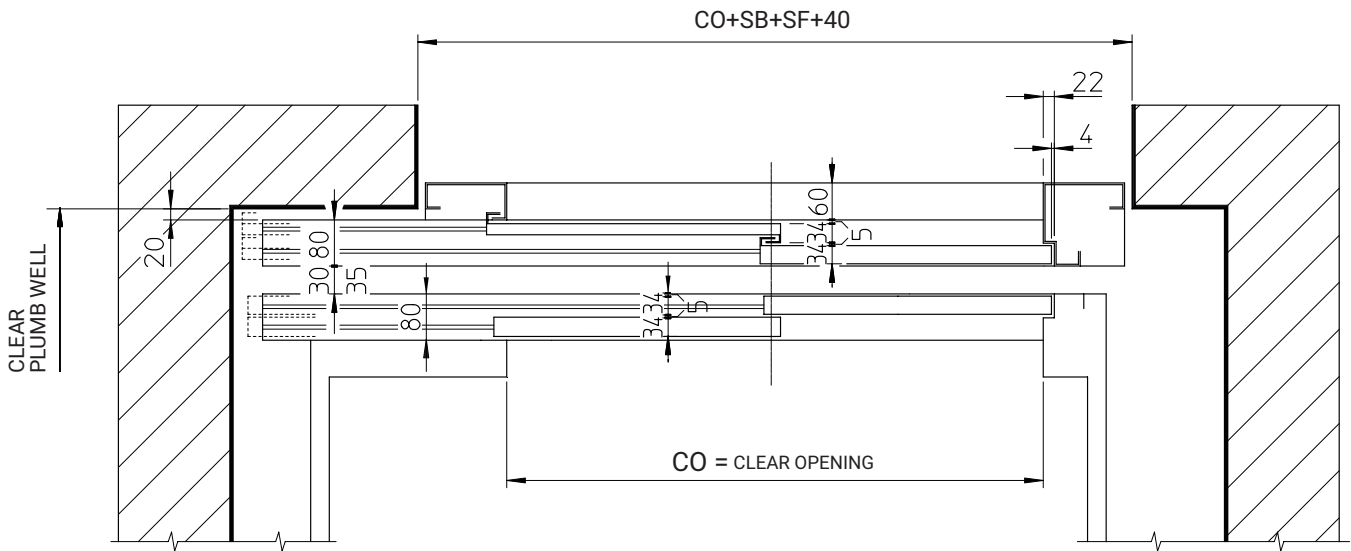


(*) In case of lateral adjustment min. 235-TSW

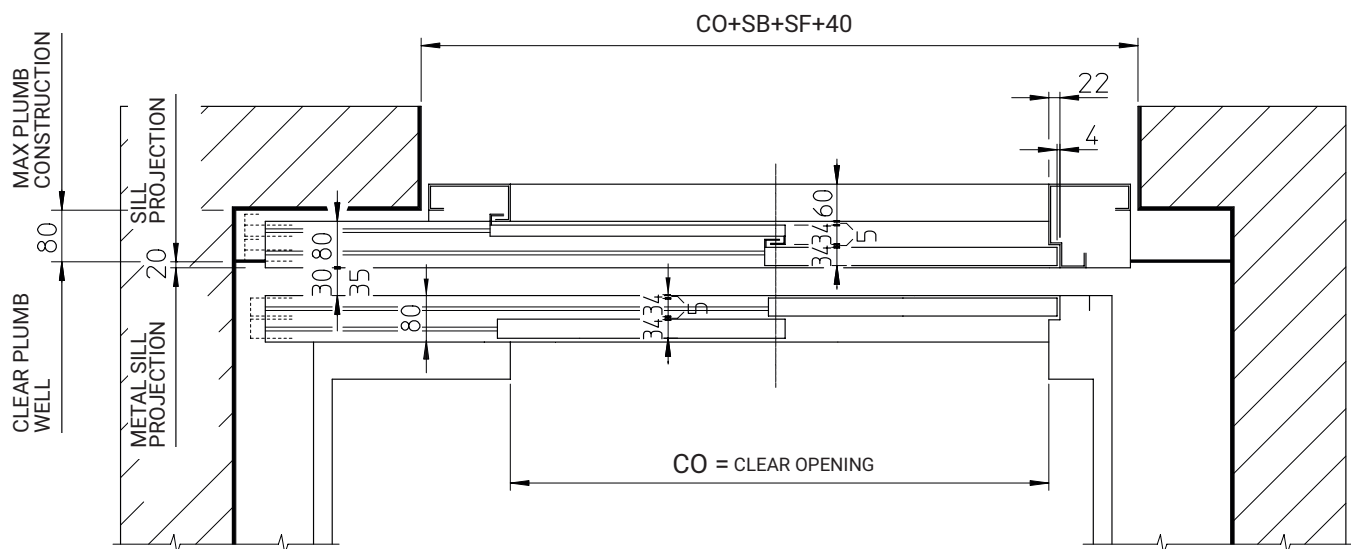
ARRANGEMENT FOR FIRE-RESISTANT DOOR



WALL INSTALLATION (TSW = 100÷140)



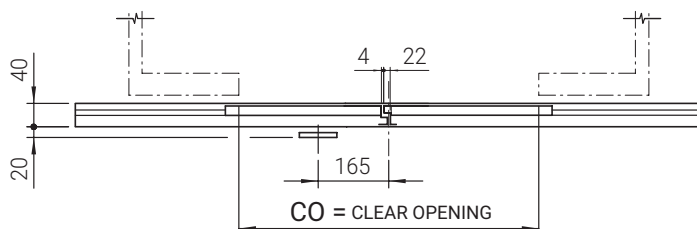
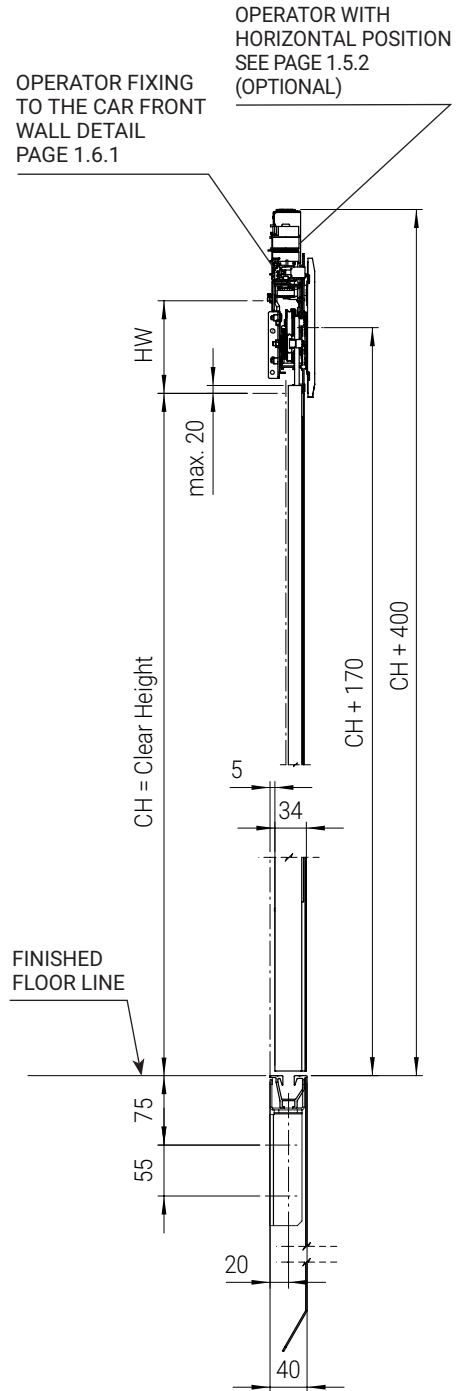
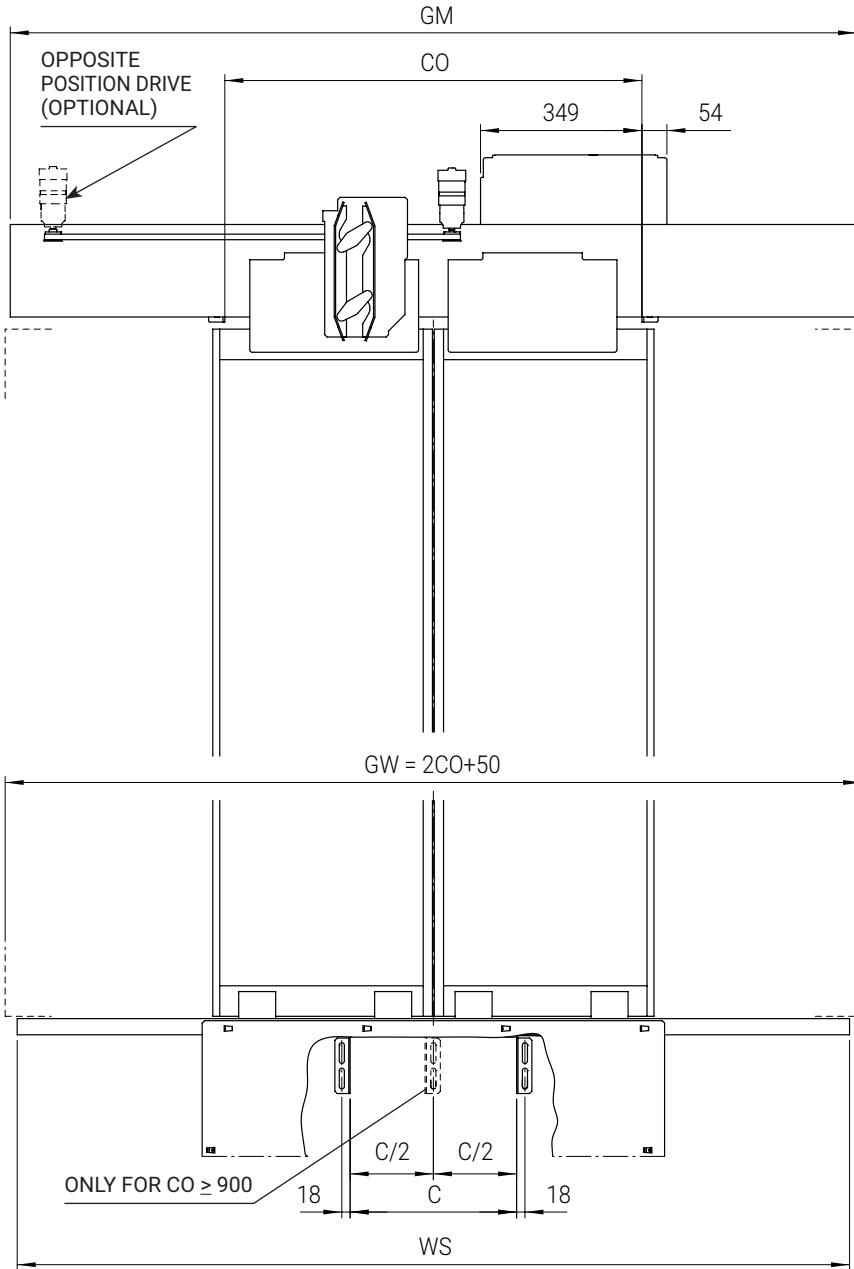
NICHE INSTALLATION (TSW = 20÷99)



LEFT HAND	AS DRAWN
RIGHT HAND	SYMMETRICALLY OPPOSITE

CAR DOOR, CO=700÷1100

Ty 02/C



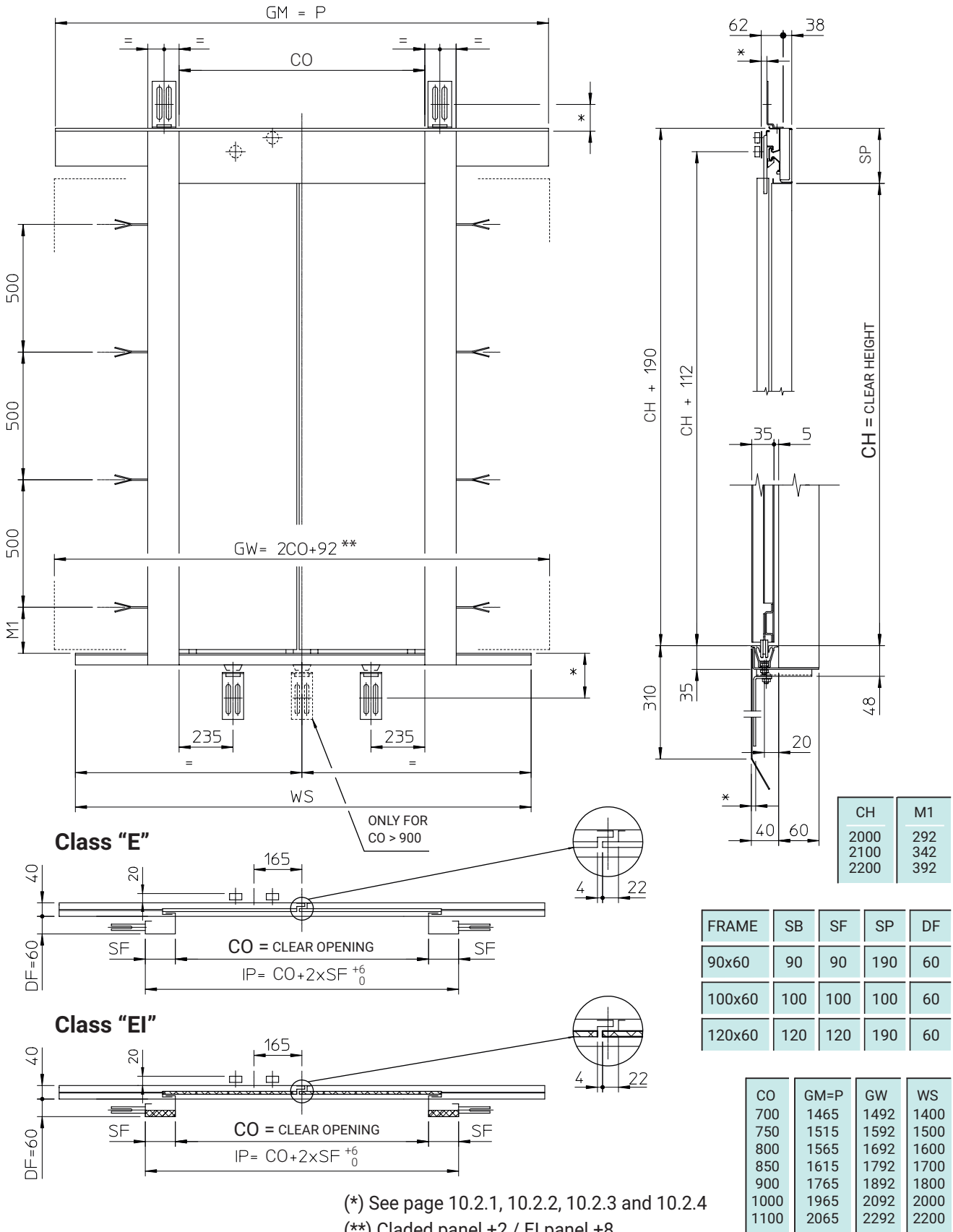
CO	TOTAL WEIGHT Kg LH=2000	GM	GW	WS	C
* 700	61	1480	1450	1400	360
* 750	63	1580	1550	1500	
800	66	1630	1650	1600	
850	68	1680	1750	1700	
900	72	1830	1850	1800	560
950	74	1880	1950	1900	
1000	77	2030	2050	2000	
1050	79	2080	2150	2100	660
1100	83	2130	2250	2200	760

(* Caution: GM dimension larger than GW dimension

Note: Weights referring to not clad doors

FIRE-RESISTANT DOOR

Ty 01/C



CH	M1
2000	292
2100	342
2200	392

FRAME	SB	SF	SP	DF
90x60	90	90	190	60
100x60	100	100	100	60
120x60	120	120	190	60

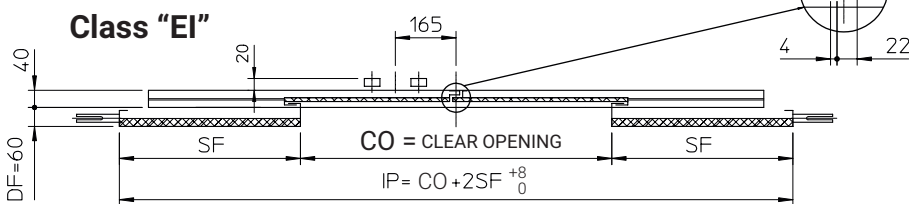
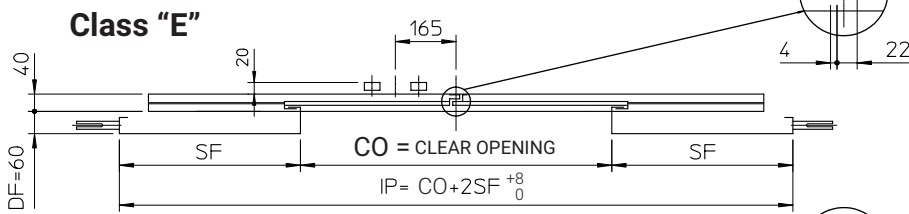
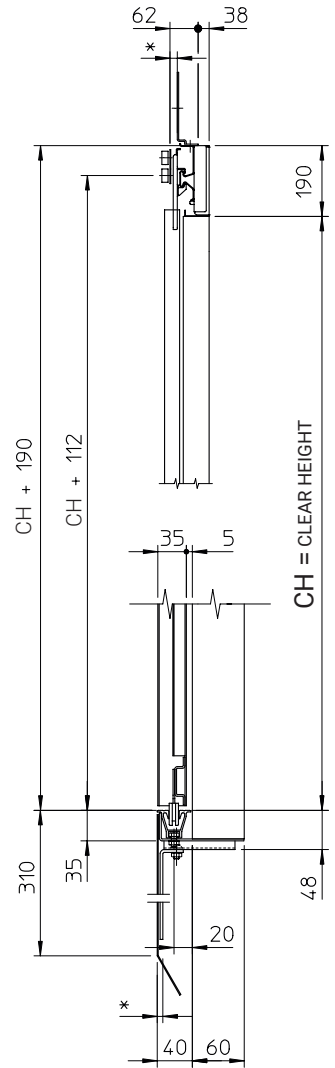
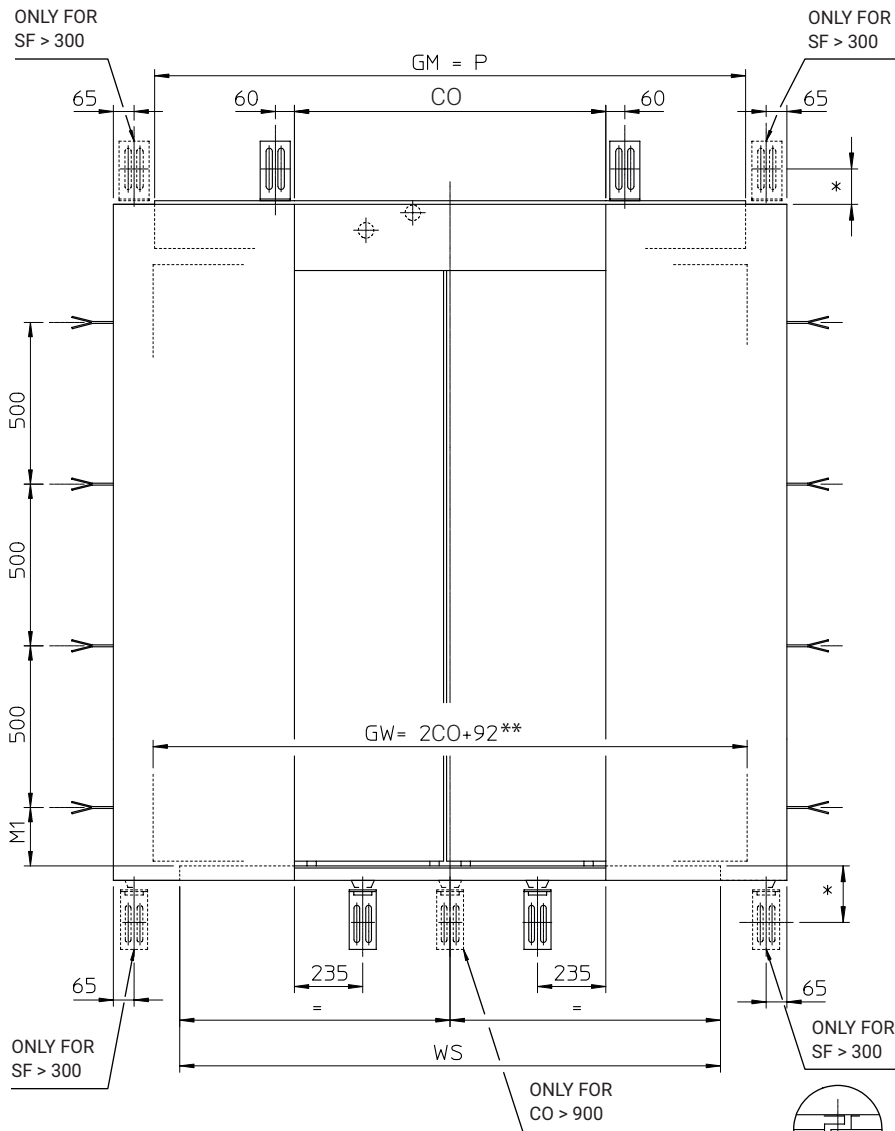
CO	GM=P	GW	WS
700	1465	1492	1400
750	1515	1592	1500
800	1565	1692	1600
850	1615	1792	1700
900	1765	1892	1800
1000	1965	2092	2000
1100	2065	2292	2200

(*) See page 10.2.1, 10.2.2, 10.2.3 and 10.2.4

(**) Claded panel +2 / EI panel +8.

FIRE RESISTANT DOOR WITH LATERAL BIG FRAMES

Ty 01/C



(*) See page 10.2.1 and 10.2.2
(**) Claded panel +2 / EI +8.

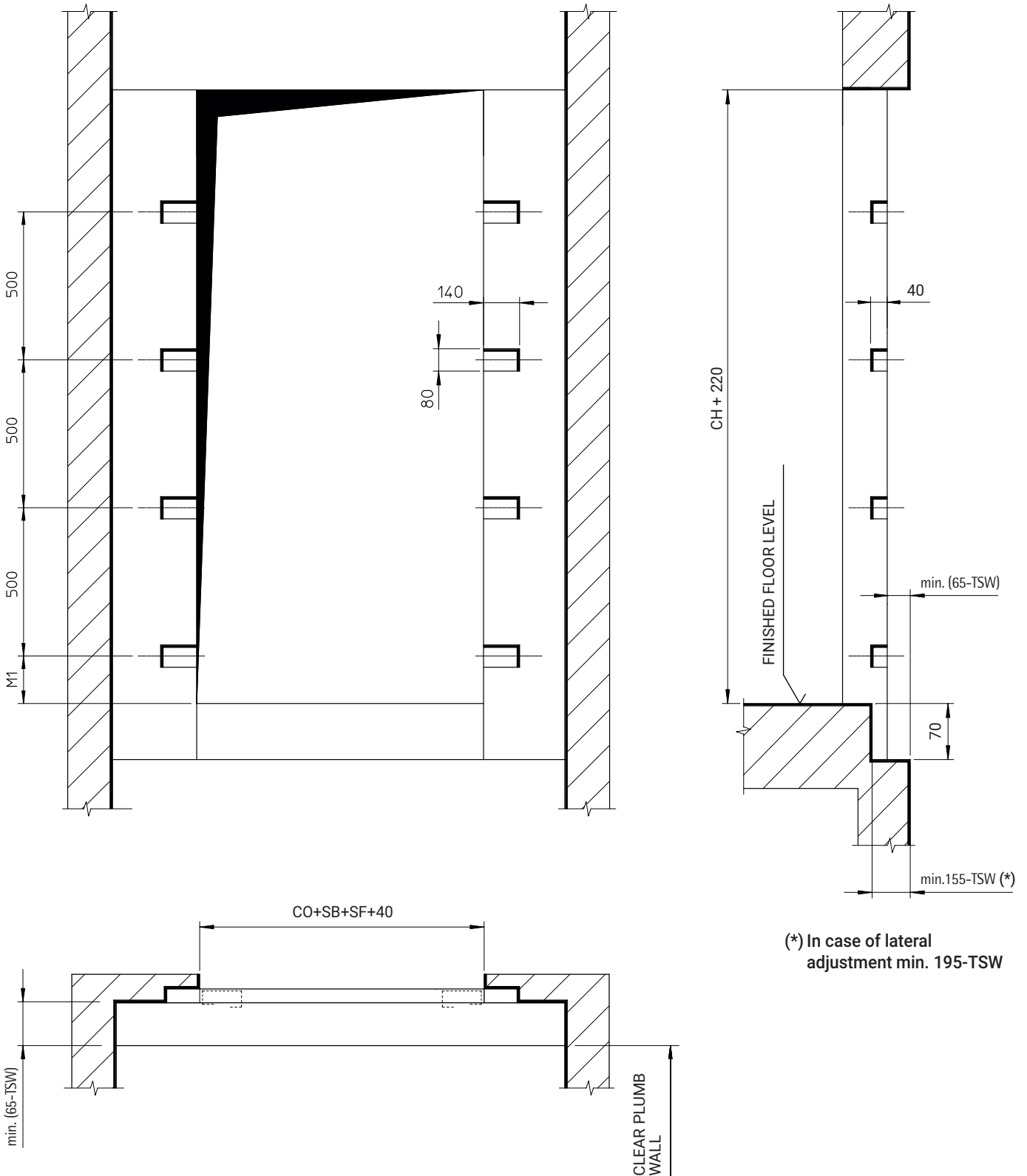
CH	M1
2000	292
2100	342
2200	392

CO	GM=P	GW	WS
700	1465	1492	1400
750	1515	1592	1500
800	1565	1692	1600
850	1615	1792	1700
900	1765	1892	1800
1000	1965	2092	2000
1100	2065	2292	2200

SF/SB min 145 max 650 (5 mm steps)

SHAFT WALL FOR "NICHE INSTALLATION"

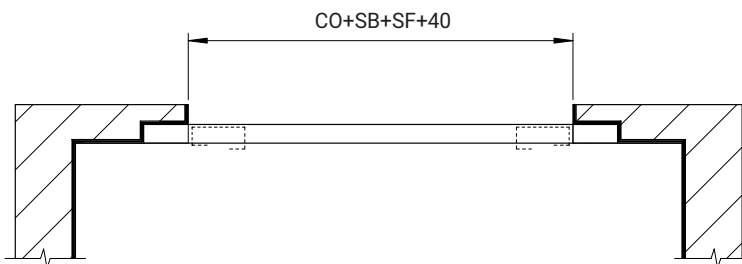
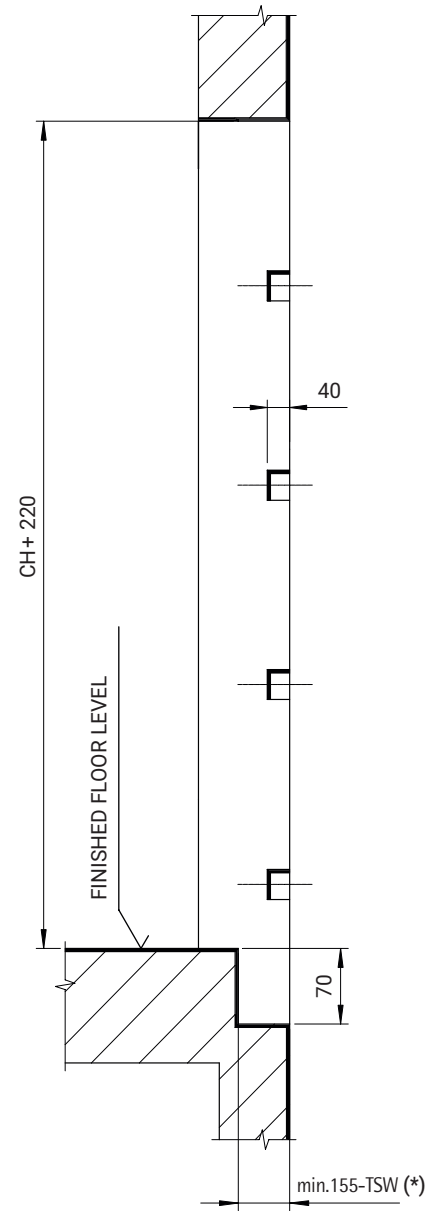
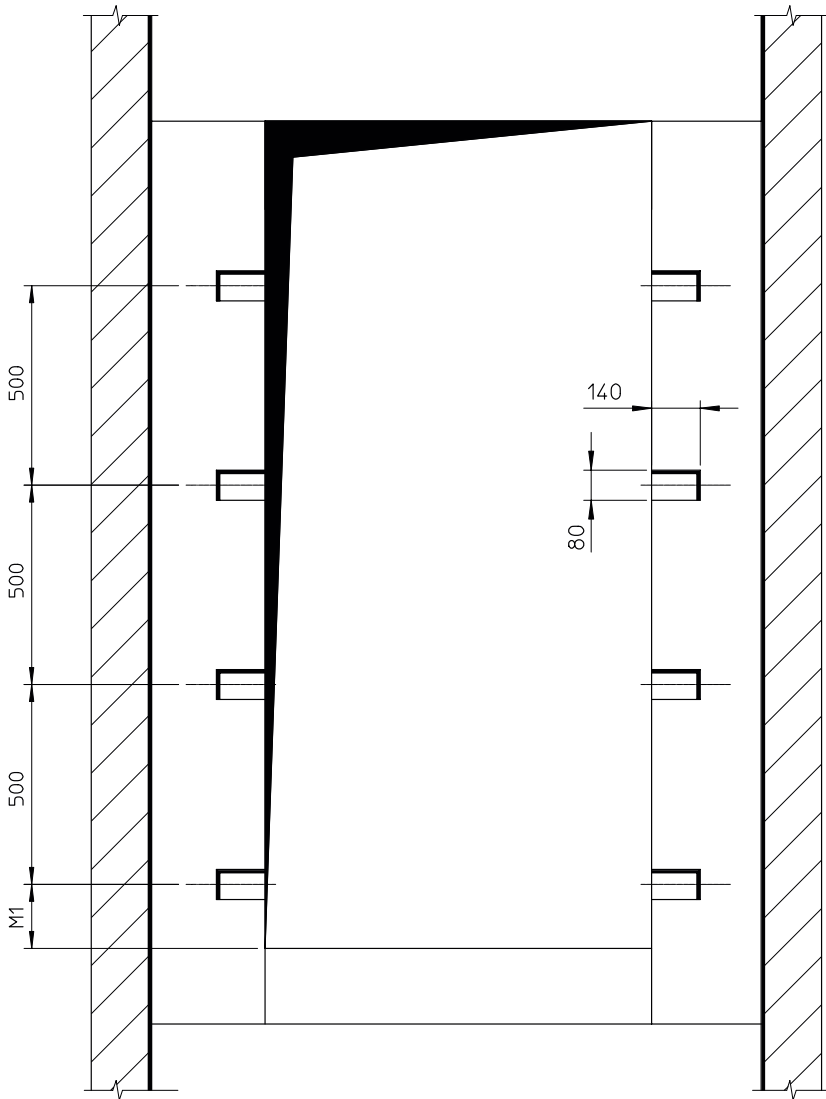
Ty 01/C



(* In case of lateral adjustment min. 195-TSW

SHAFT WALL FOR "WALL INSTALLATION"

Ty 01/C



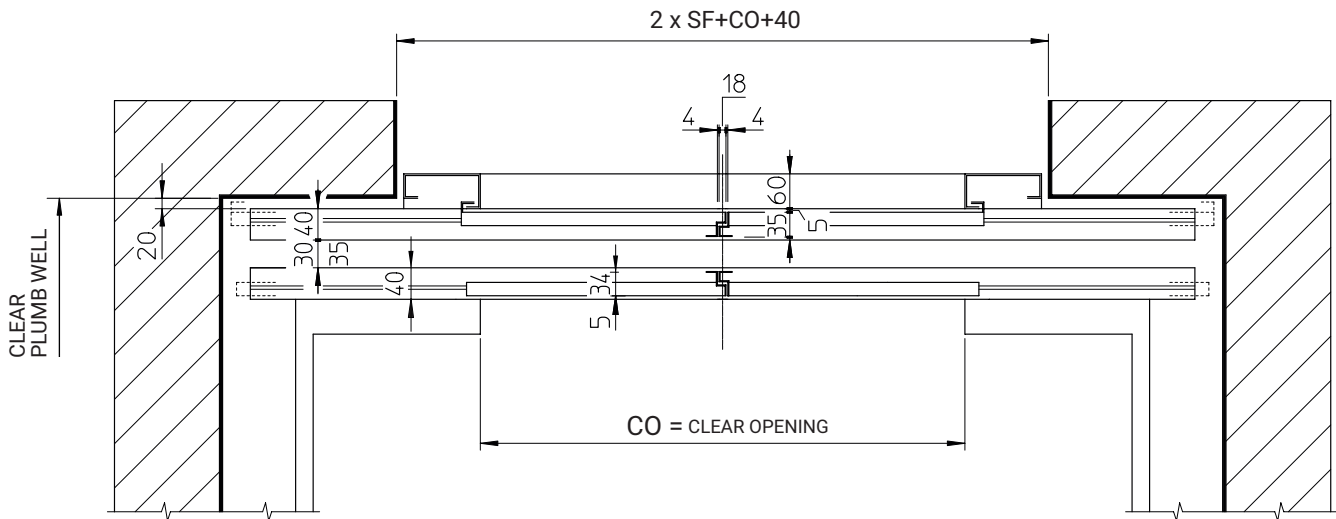
(*) In case of lateral adjustment min. 195-TSW

ARRANGEMENT FOR FIRE-RESISTANT DOOR

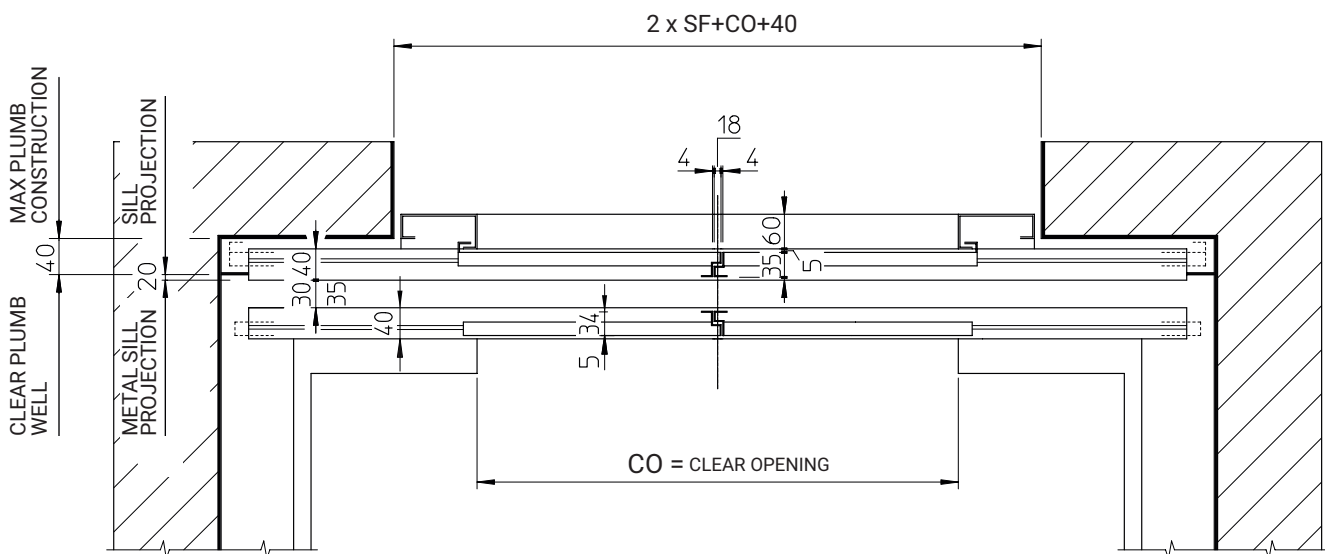
Ty 01/C

Ty 02/C

WALL INSTALLATION (TSW = 66÷100)

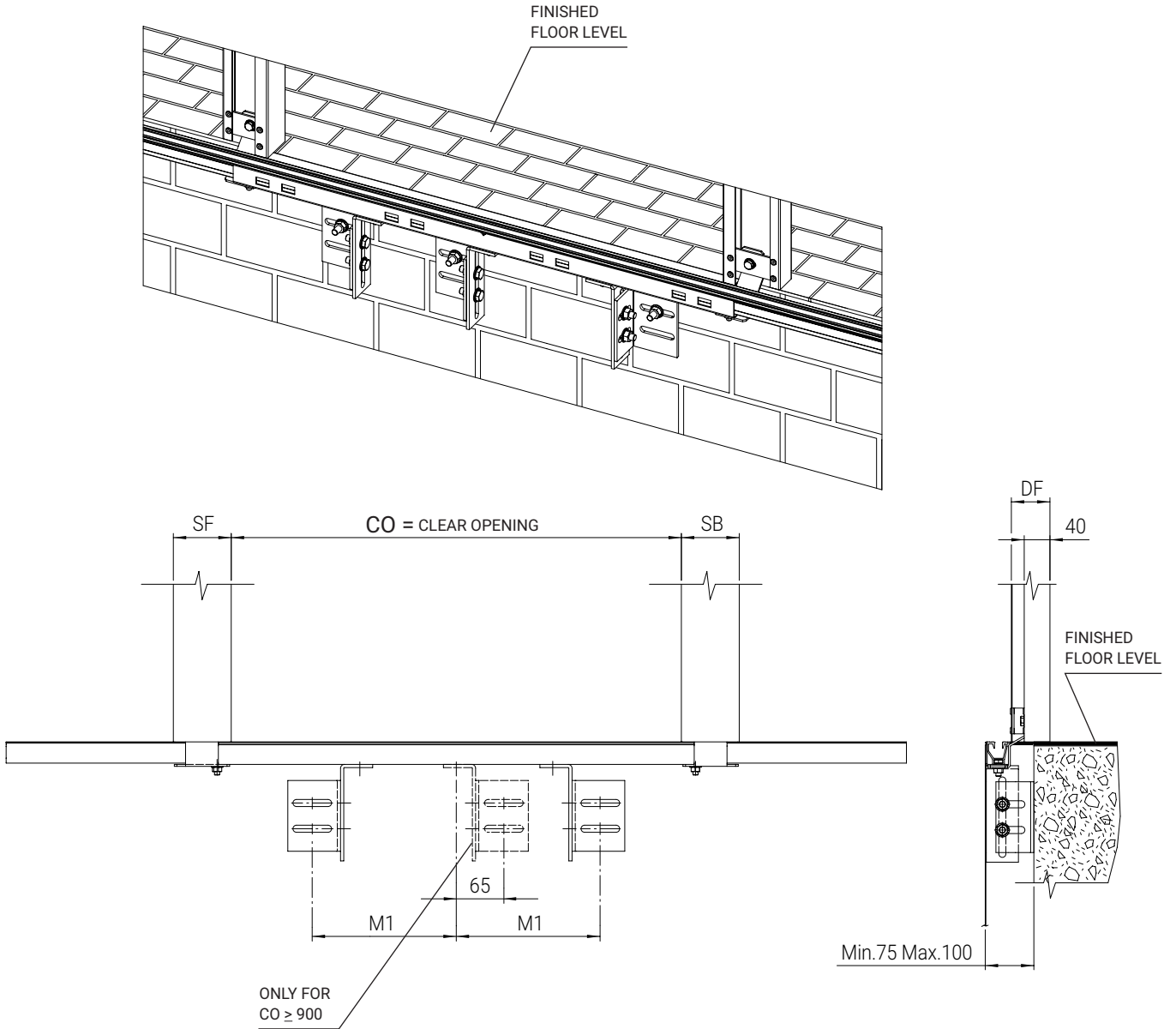


NICHE INSTALLATION (TSW = 20÷65)



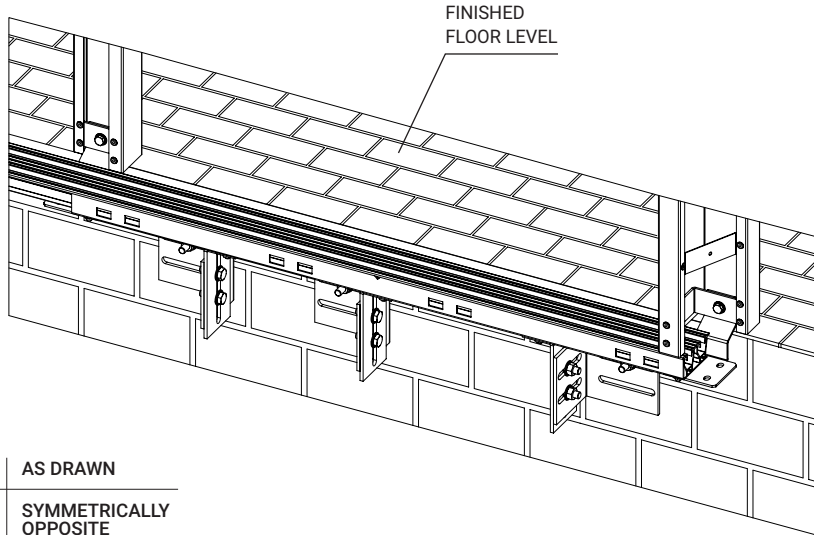
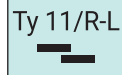
FLOOR LINE FRAME, TY 01/C (OPTIONAL)

Ty 01/C

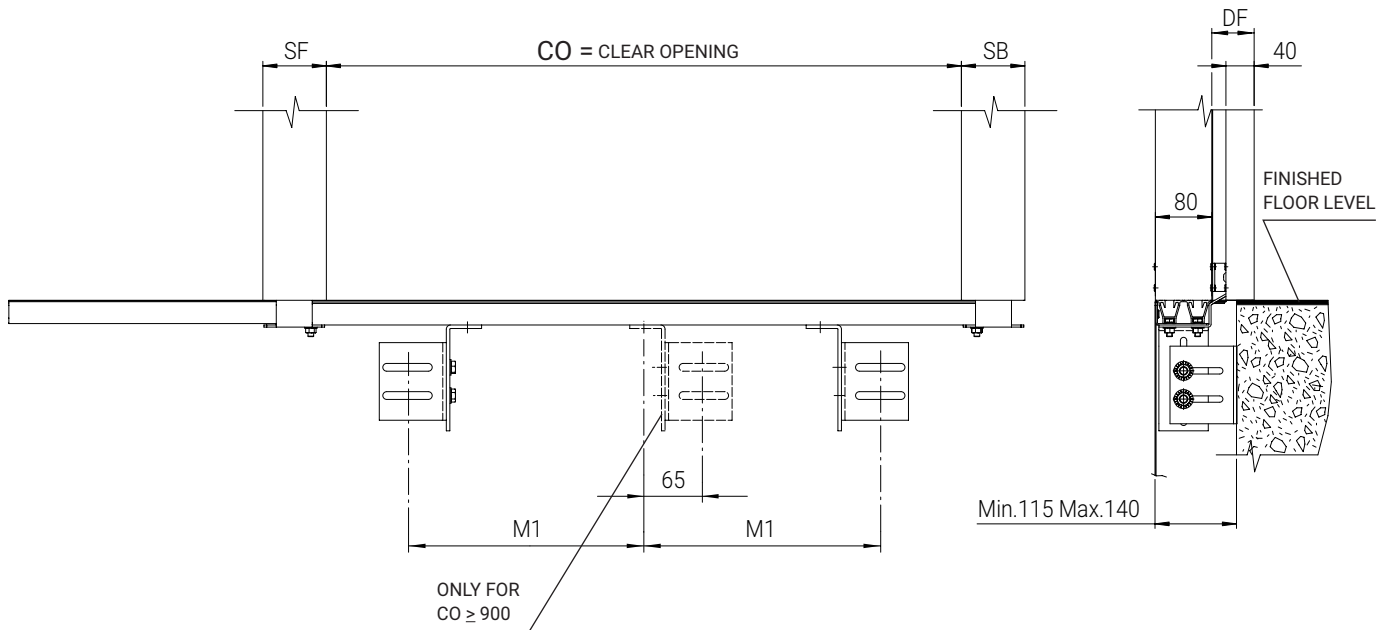


CO	M1
700	215
750	215
800	265
850	265
900	315
950	315
1000	365
1050	365
1100	415

FLOOR LINE FRAME, TY 11/R-L (OPTIONAL)

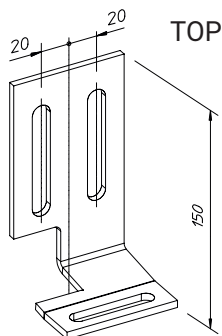
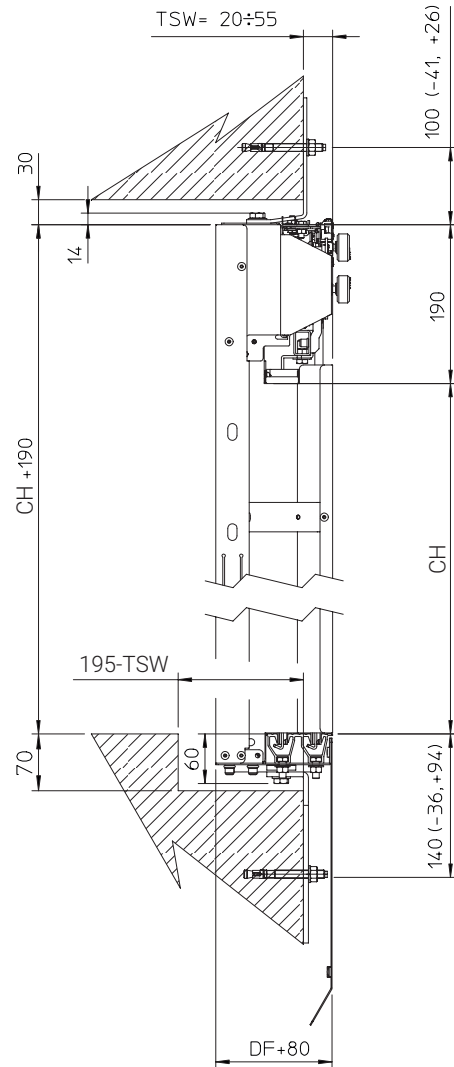
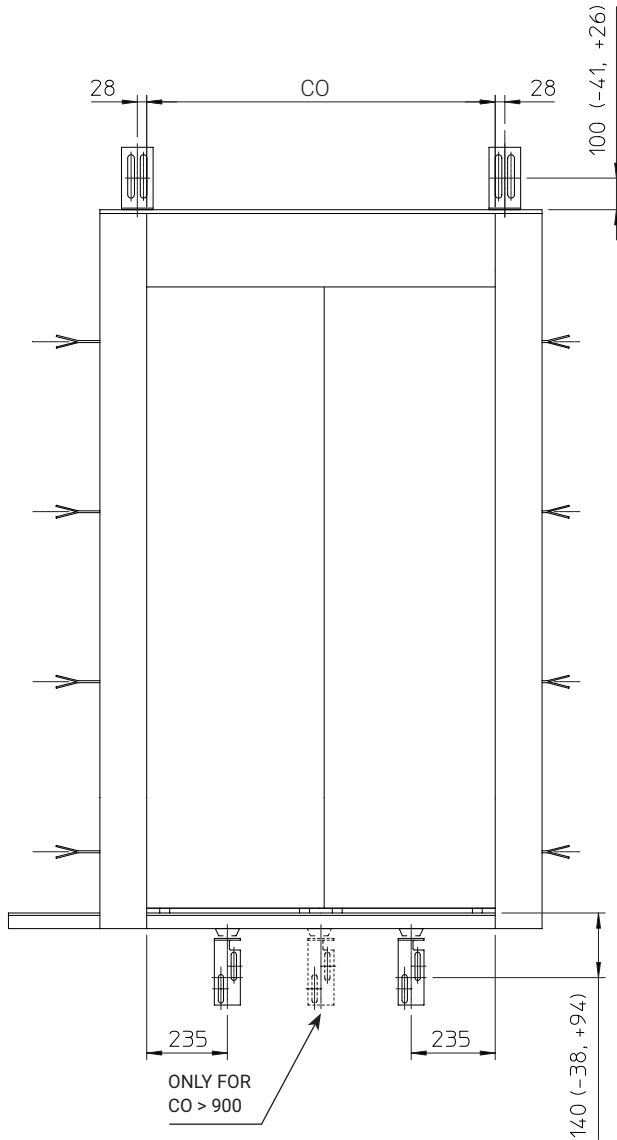


LEFT HAND	AS DRAWN
RIGHT HAND	SYMMETRICALLY OPPOSITE

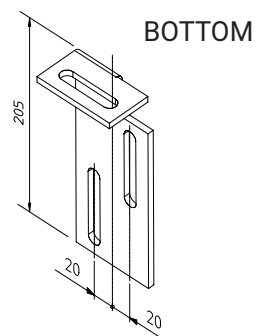


CO	M1
700	215
750	215
800	265
850	265
900	315
950	315
1000	365
1050	365
1100	415

BRACKETS FOR TSW=20÷55 (NICHE INSTALLATION)



CODE NR. 1013351

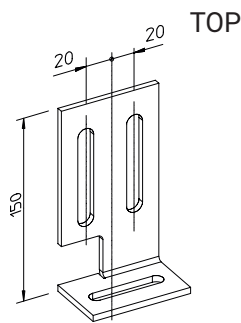
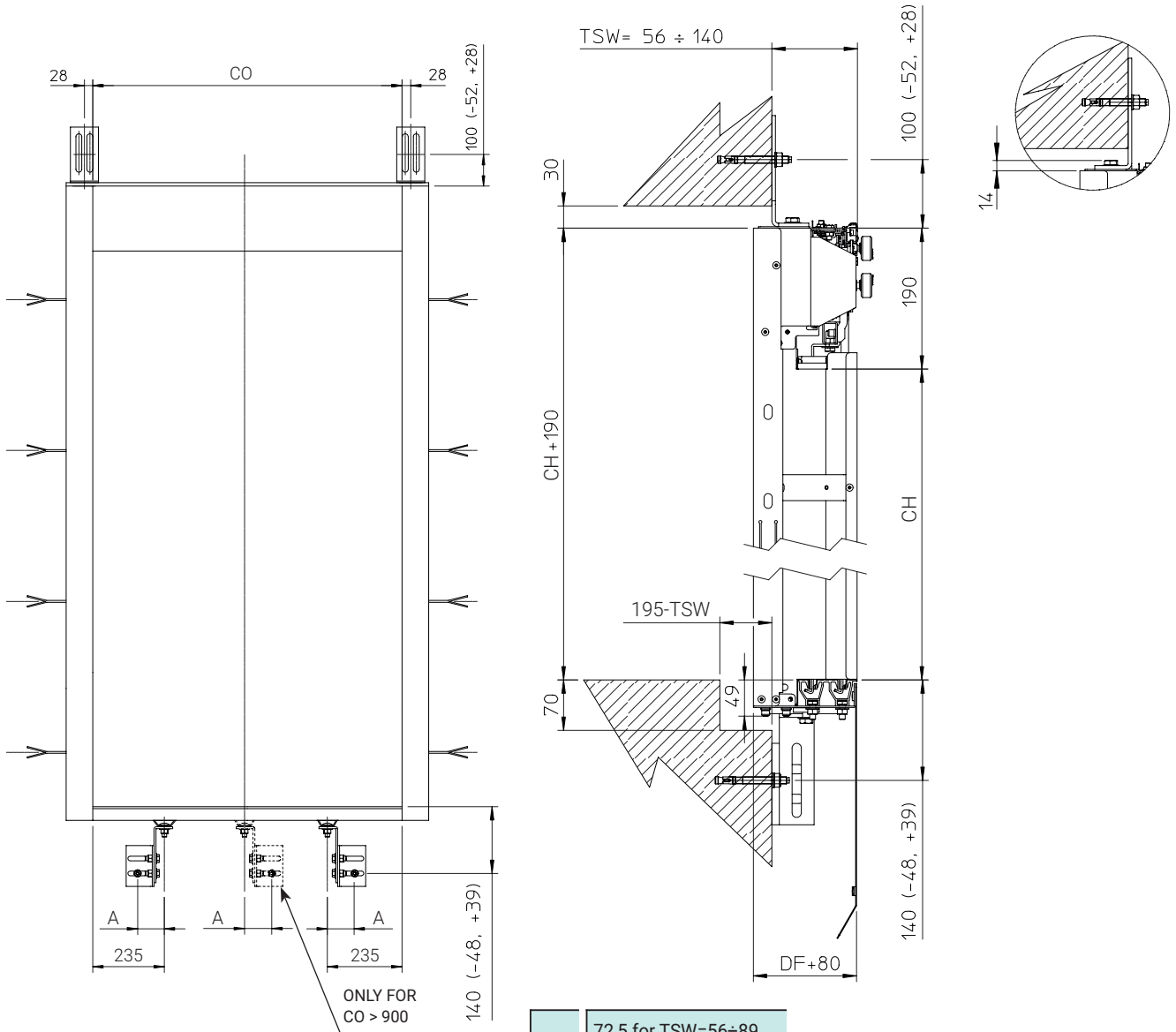


CODE NR. 1006056

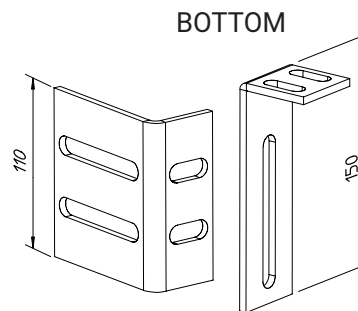
BRACKETS FOR TSW=56÷99 (NICHE INSTALLATION)

BRACKETS FOR TSW=100÷140 (WALL INSTALLATION)

Ty 11/R-L



CODE NR. 1020020

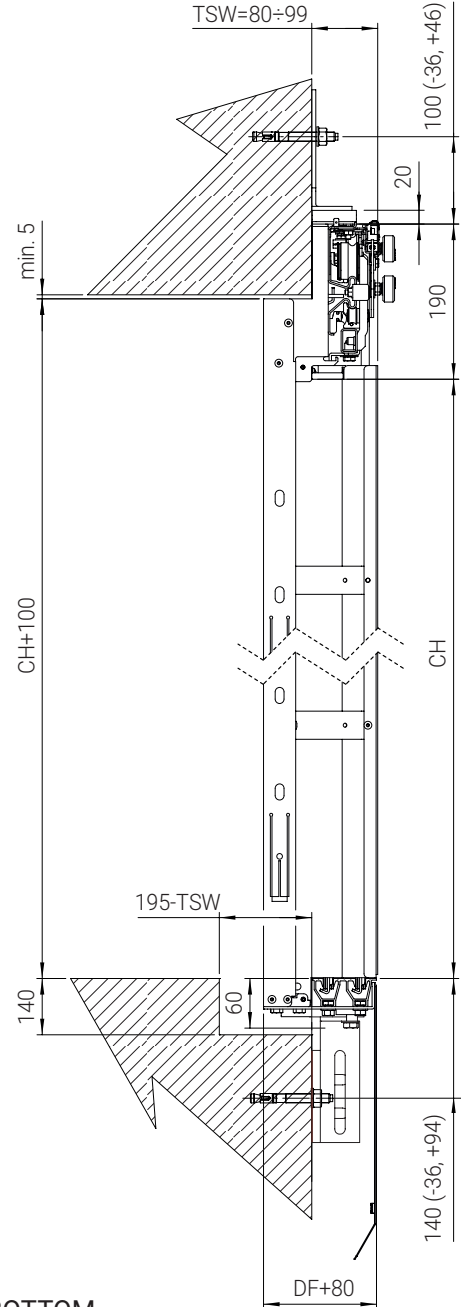
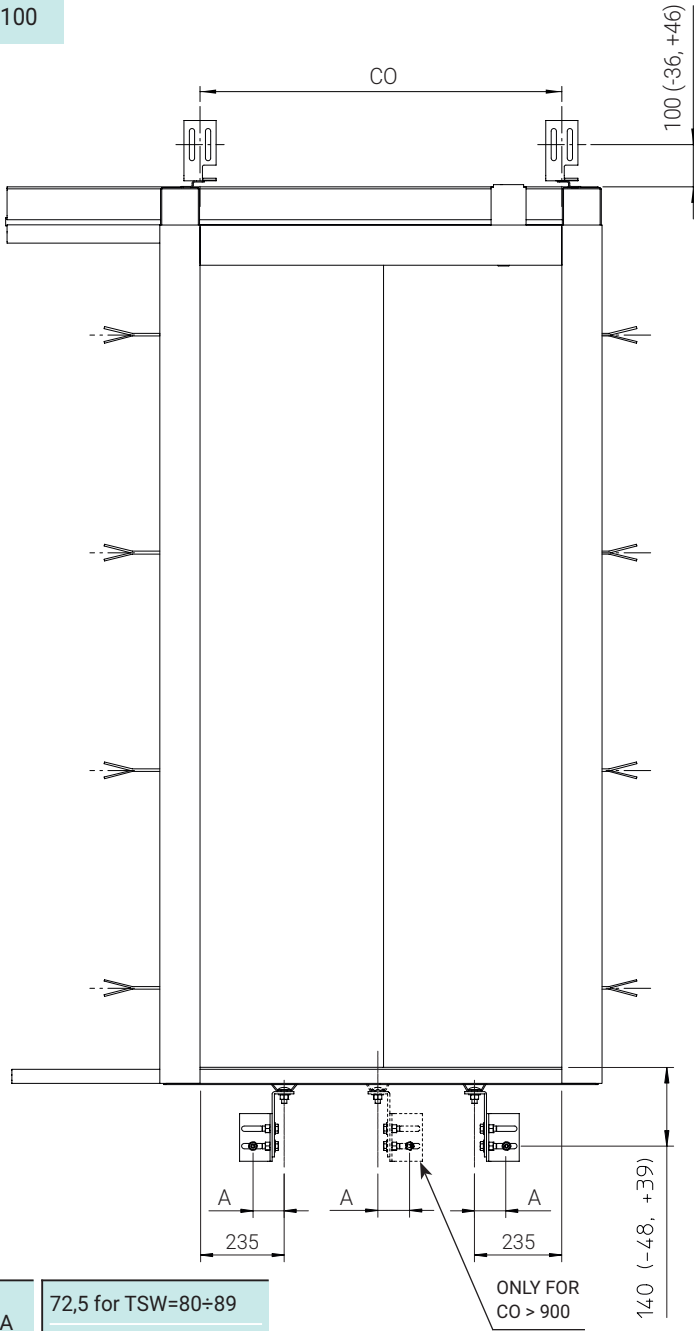


CODE NR. 1013372 CODE NR. 1013371

BRACKETS FOR TSW=80÷99 (NICHE INSTALLATION)

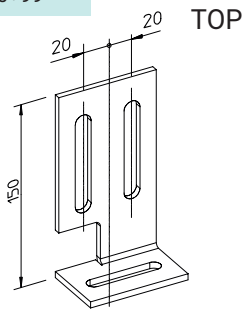
Ty 11/R-L

SP=100

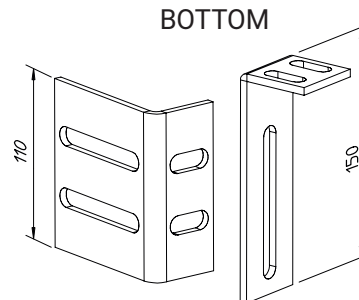


A	72,5 for TSW=80÷89
	55 for TSW=90÷99

ONLY FOR
CO > 900



CODE NR. 1020020



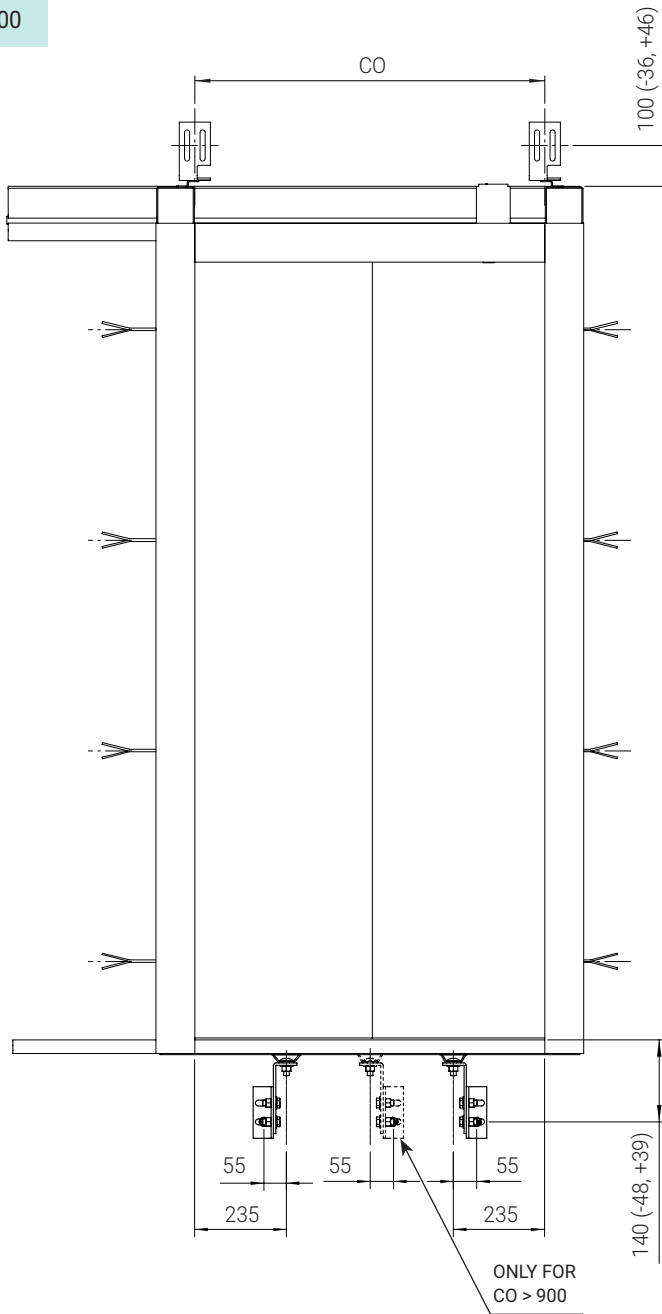
CODE NR. 1013372

CODE NR. 1013371

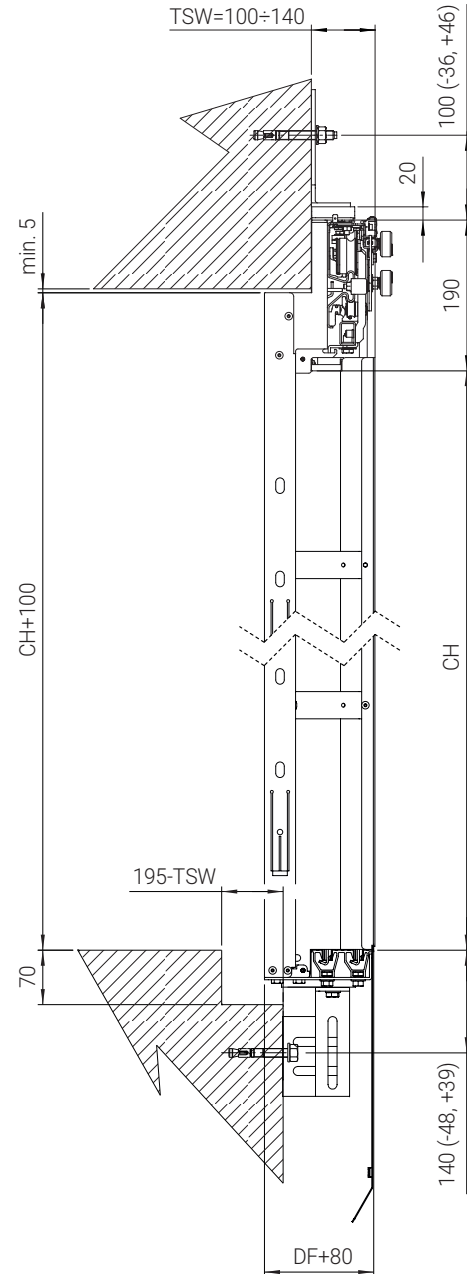
BRACKETS FOR TSW=100÷140 (WALL INSTALLATION)

Ty 11/R-L

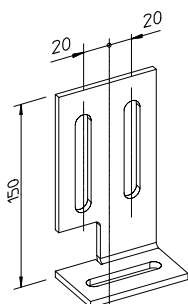
SP=100



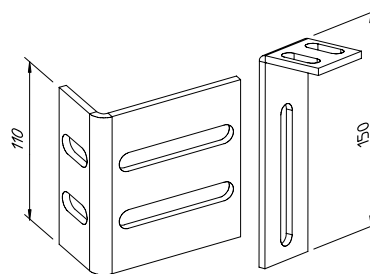
TOP



BOTTOM



CODE NR. 1020020

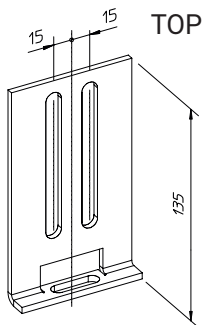
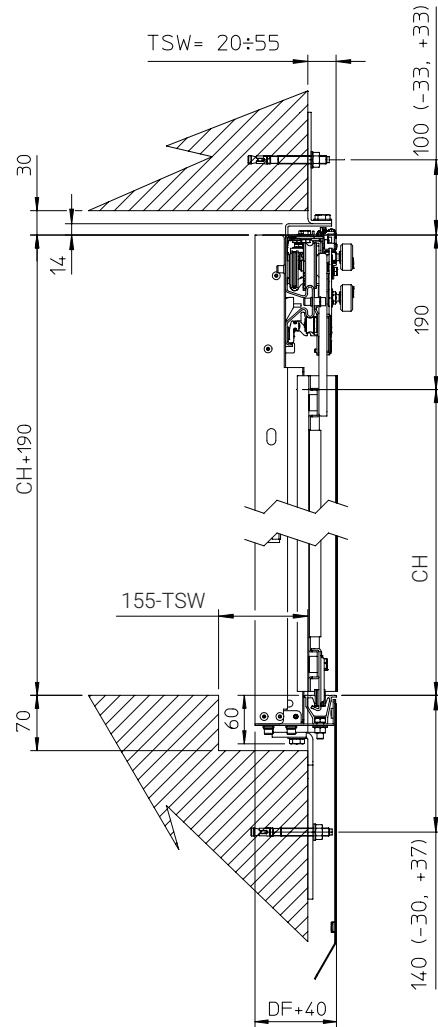
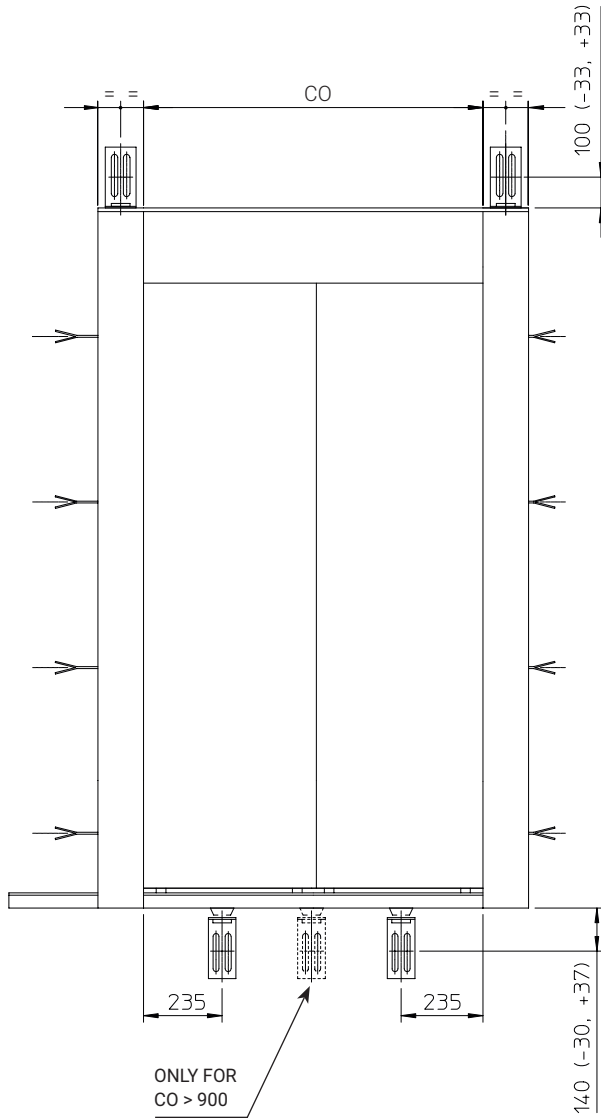


CODE NR. 1013372

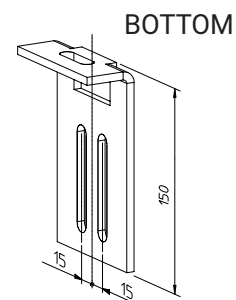
CODE NR. 1013371

BRACKETS FOR TSW=20÷55 (NICHE INSTALLATION)

Ty 01/C



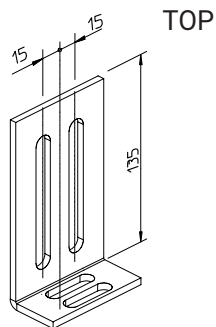
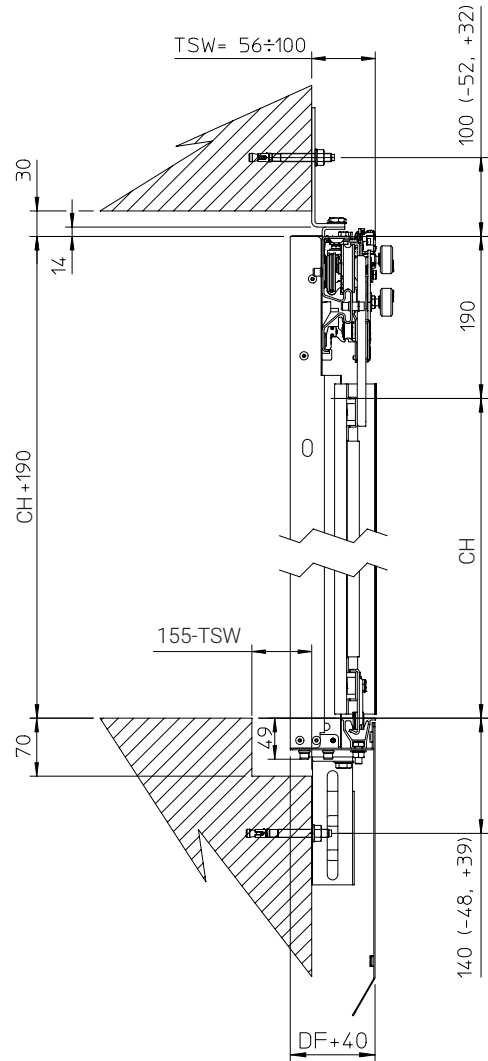
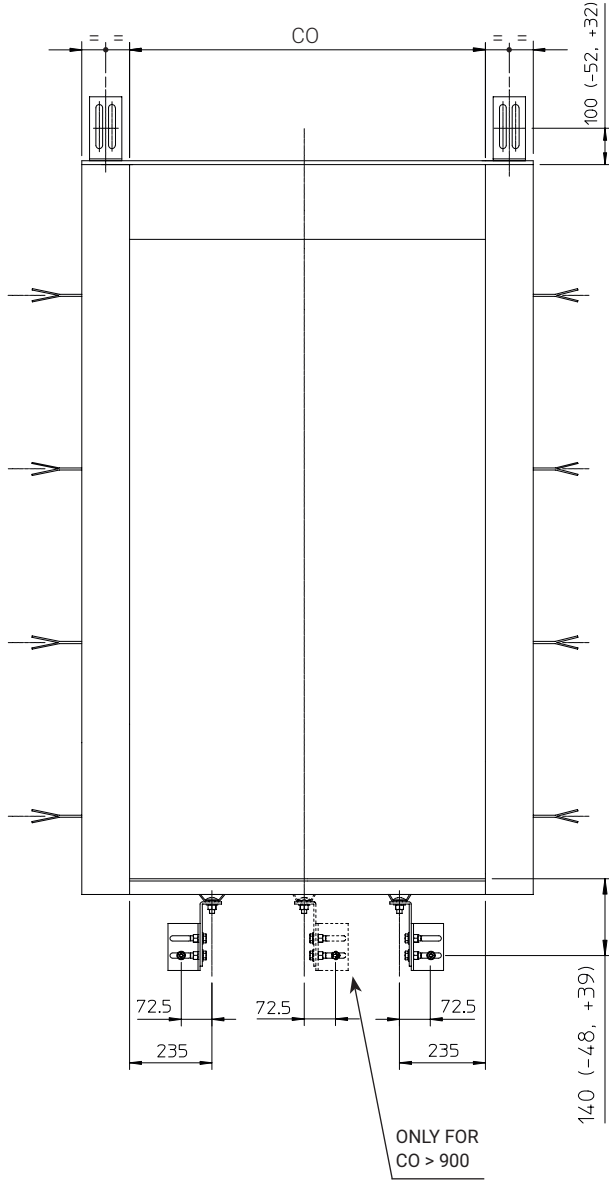
CODE NR. 1018734



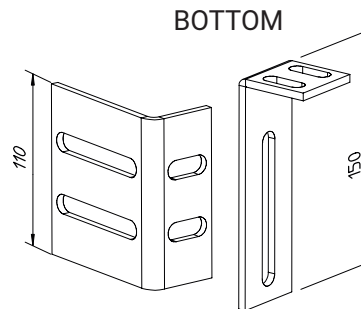
CODE NR. 1017533

Ty 01/C

BRACKETS FOR TSW=56÷65 (NICHE INSTALLATION)
BRACKETS FOR TSW=66÷100 (WALL INSTALLATION)

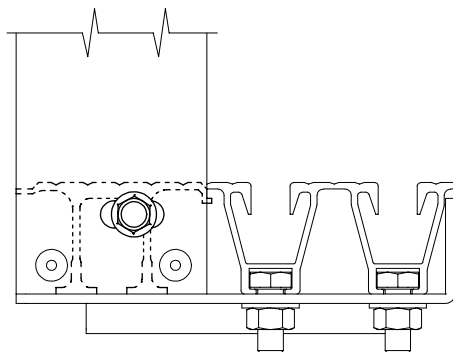
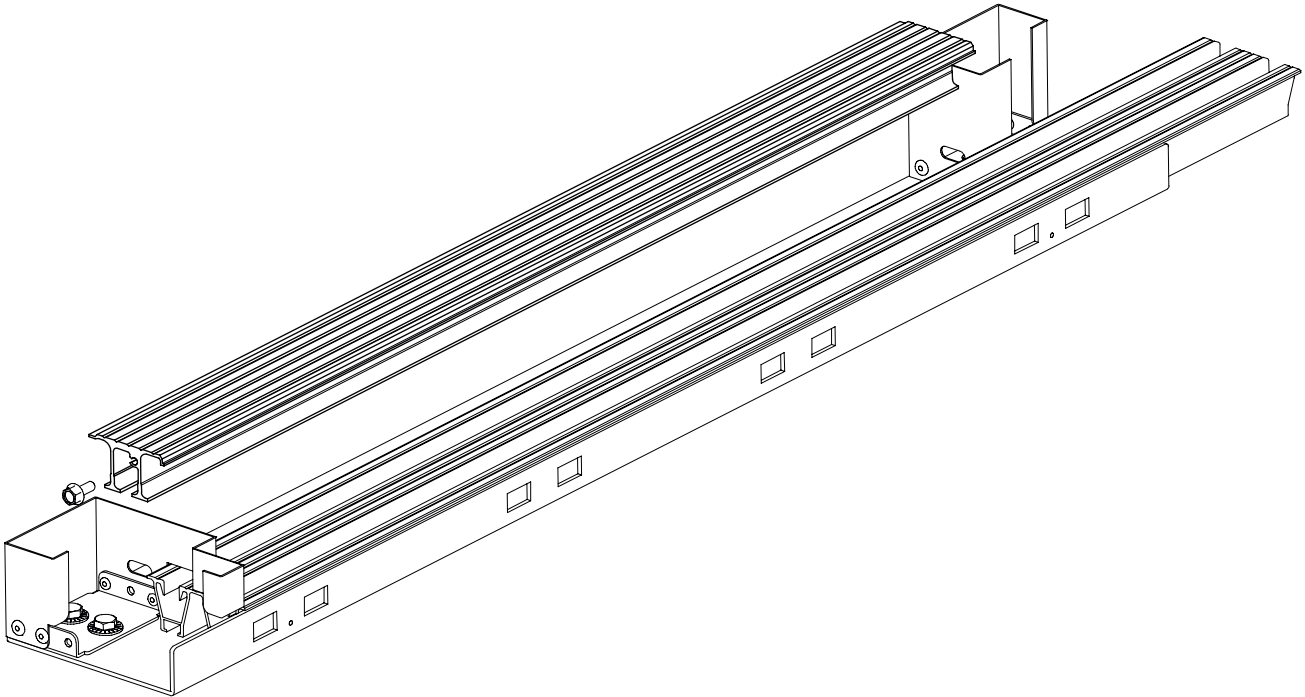


CODE NR. 1020021

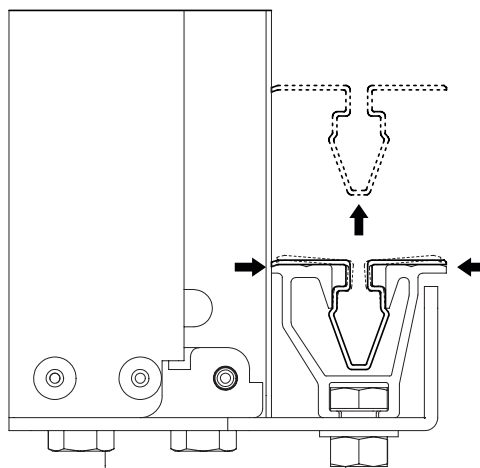
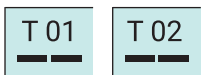
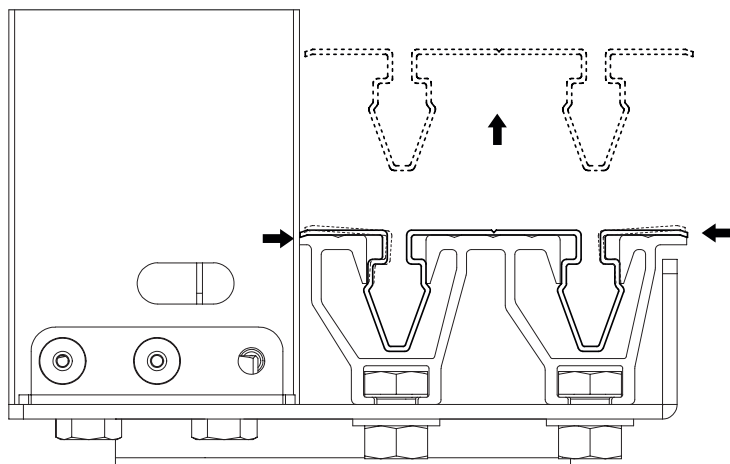
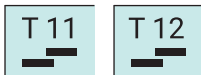
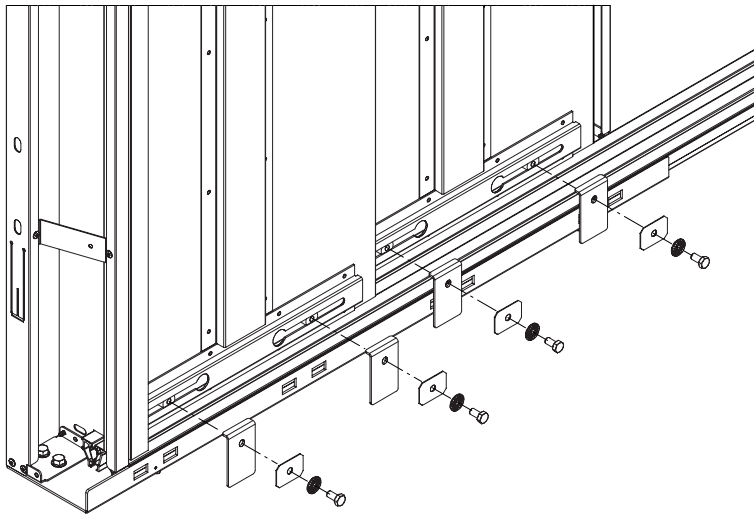


CODE NR. 1013372 CODE NR. 1013371

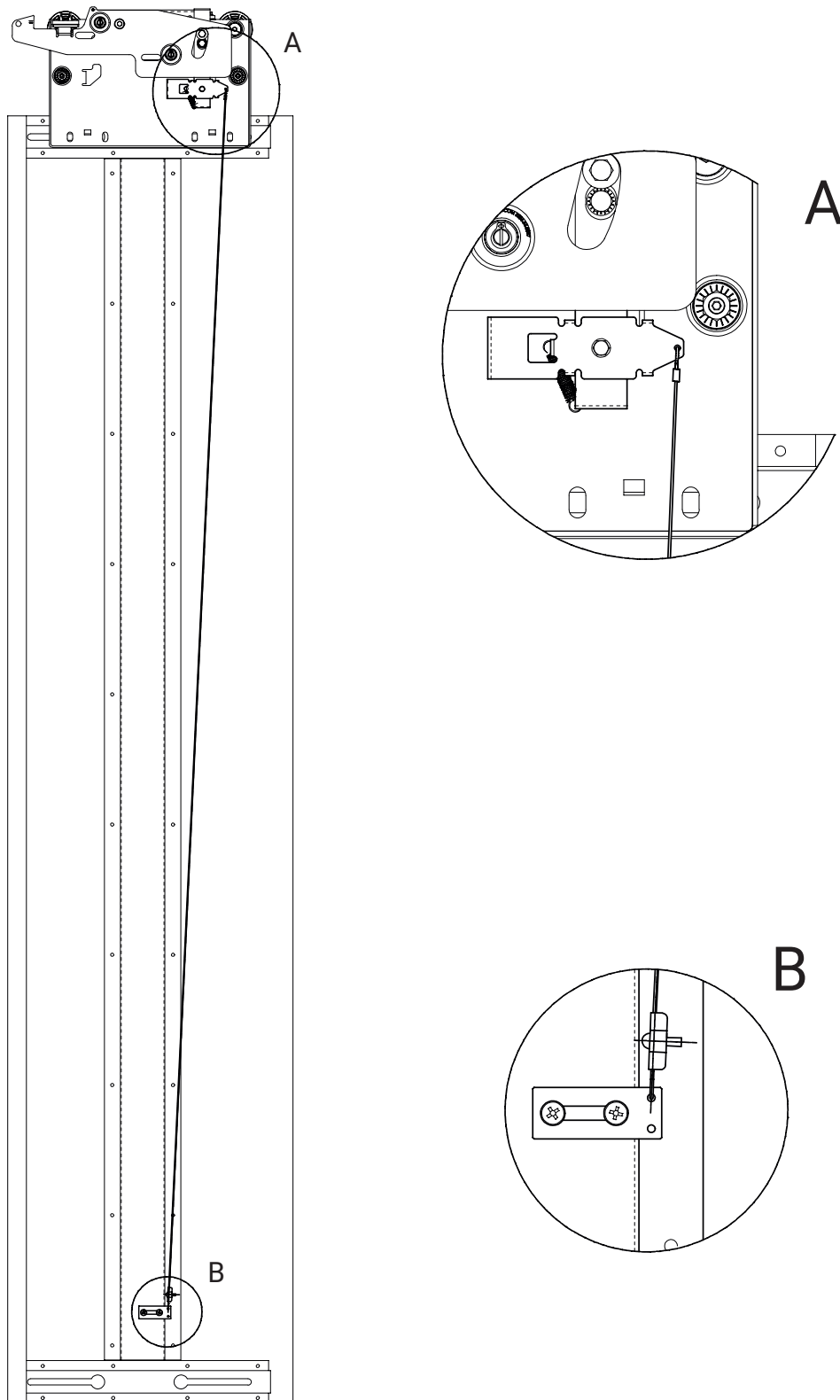
COVER SILL ASSEMBLY BETWEEN FRAMES (OPTIONAL)



SILL PROTECTION (OPTIONAL)

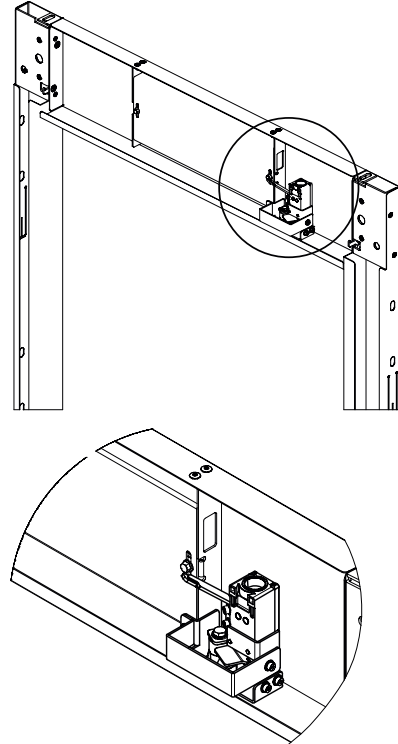
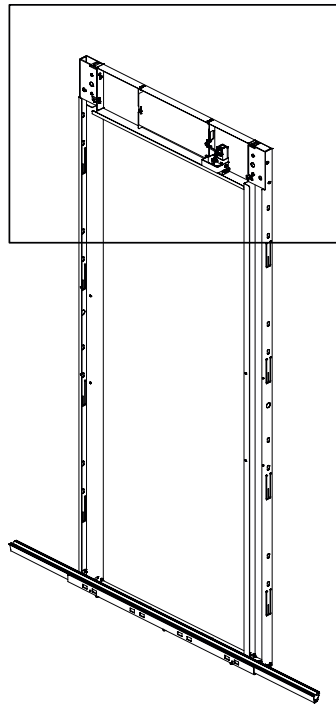


PIT EGRESS (OPTIONAL)



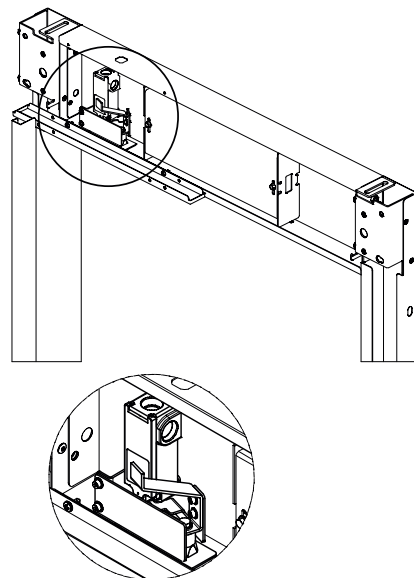
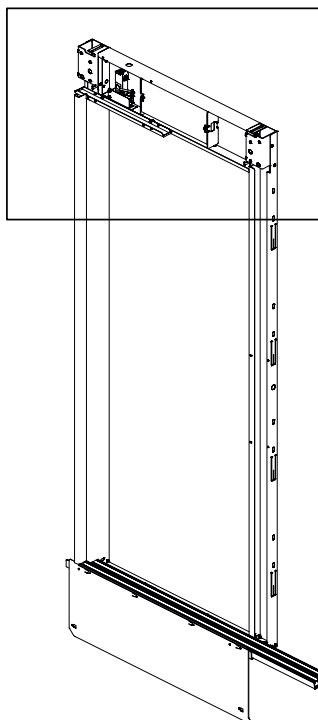
SECURITY SWITCH FOR LOW PIT ACCESS SHORT PIT AND/OR HEAD (OPTIONAL)

T 01



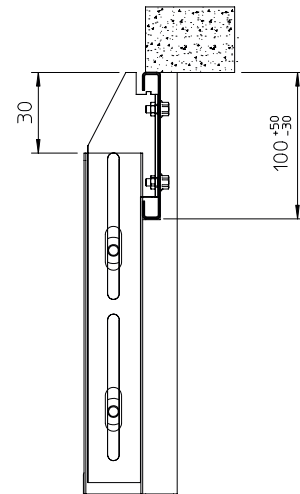
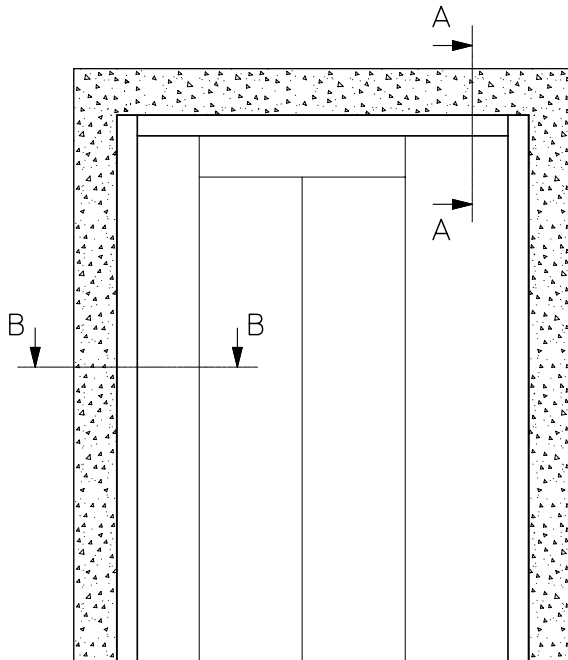
AVAILABLE OPTIONS
24V remote reset
230V remote reset
Without reset

T 11

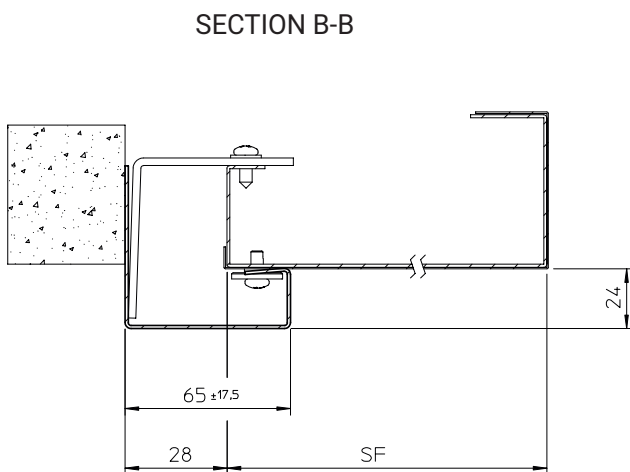


AVAILABLE OPTIONS
24V remote reset
230V remote reset
Without reset

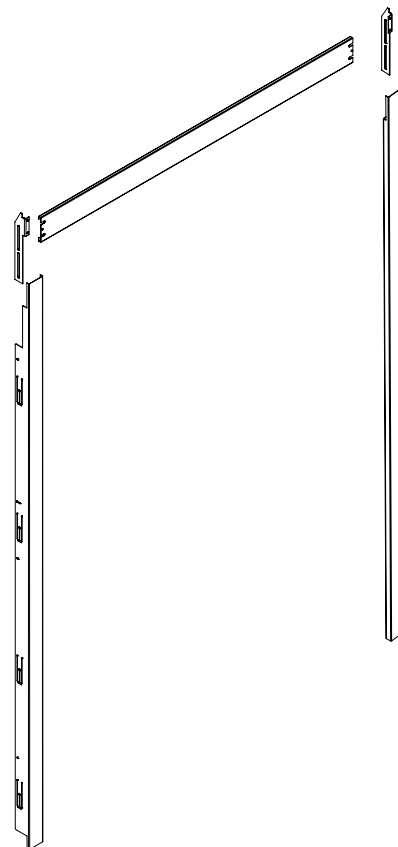
LATERAL ADJUSTMENT (OPTIONAL)



SECTION A-A

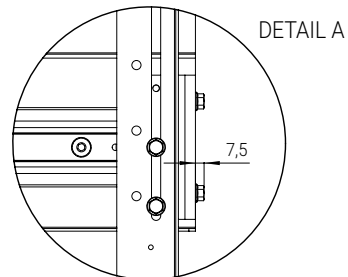
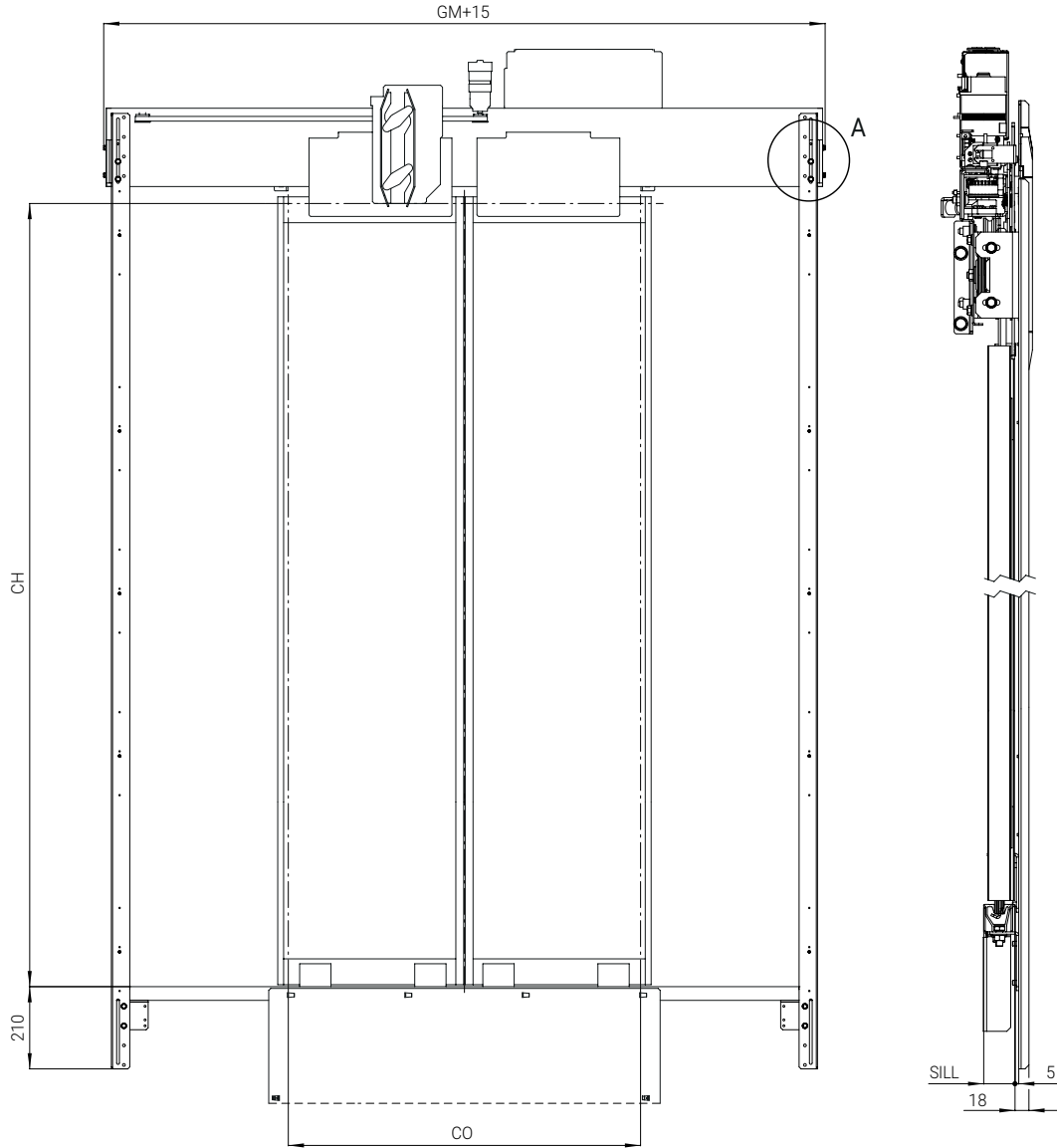


SECTION B-B

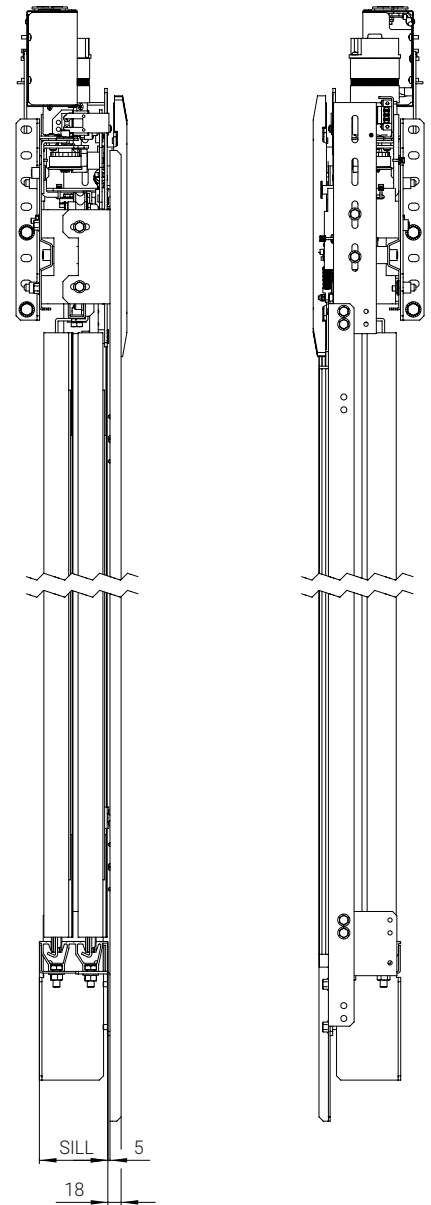
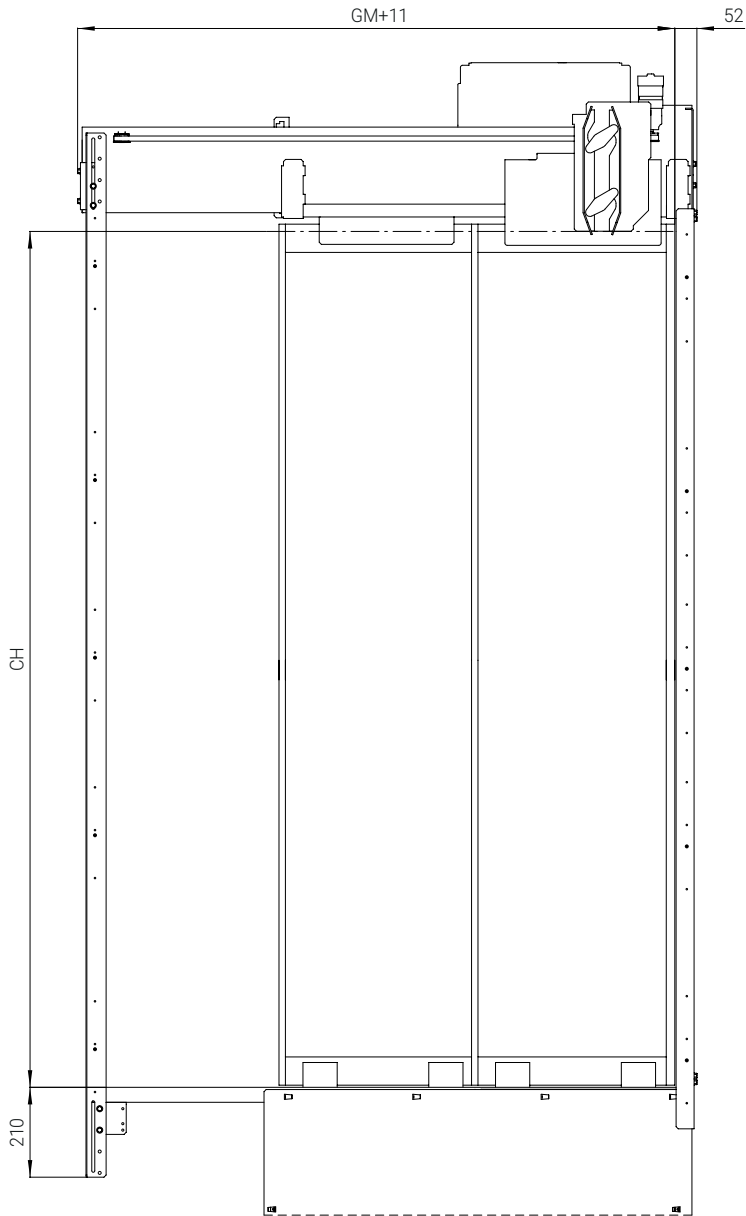


Available for doors with lateral big frames

WSE LIGHT CURTAIN FIXING FOR CENTRAL OPENING CAR DOORS, TY 02/C (OPTIONAL)



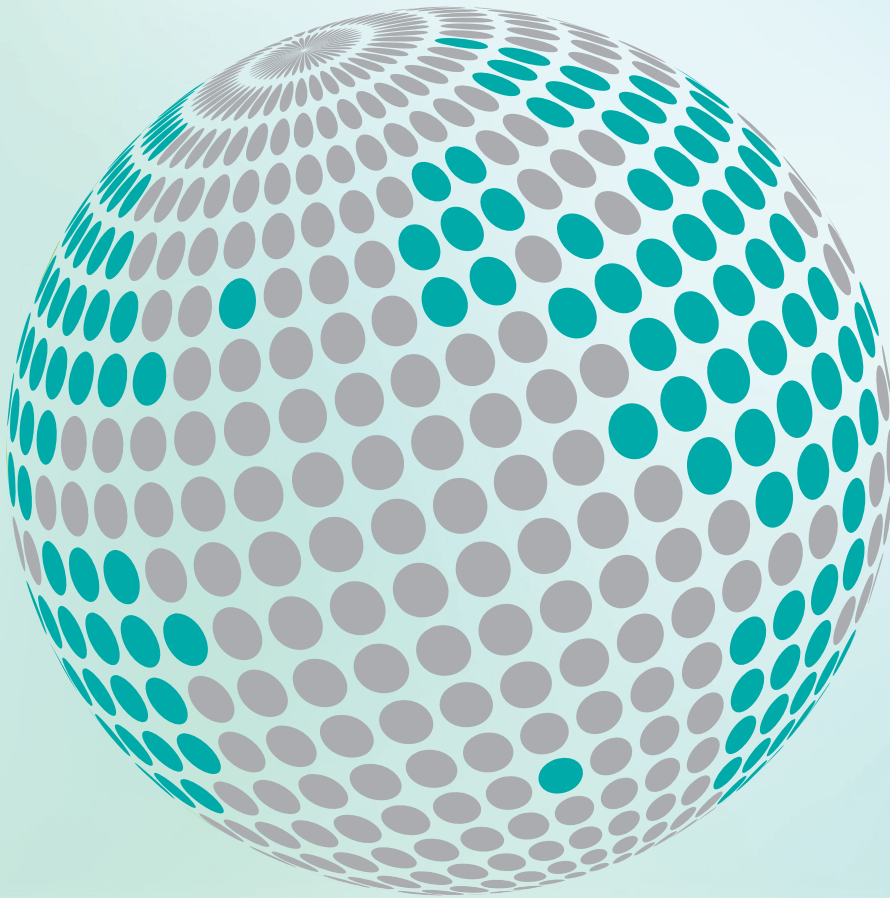
WSE LIGHT CURTAIN FIXING FOR CENTRAL OPENING CAR DOORS, TY 12/R-L (OPTIONAL)





WITTUR

**YOUR GLOBAL PARTNER FOR COMPONENTS,
MODULES AND SYSTEMS IN THE ELEVATOR INDUSTRY**



safety **in** *motion*™

www.wittur.com

More information
about Wittur Group
available on-line.



SELCOM®
a WITTUR brand

Liftmaterial
a WITTUR brand

sematic®
a WITTUR brand